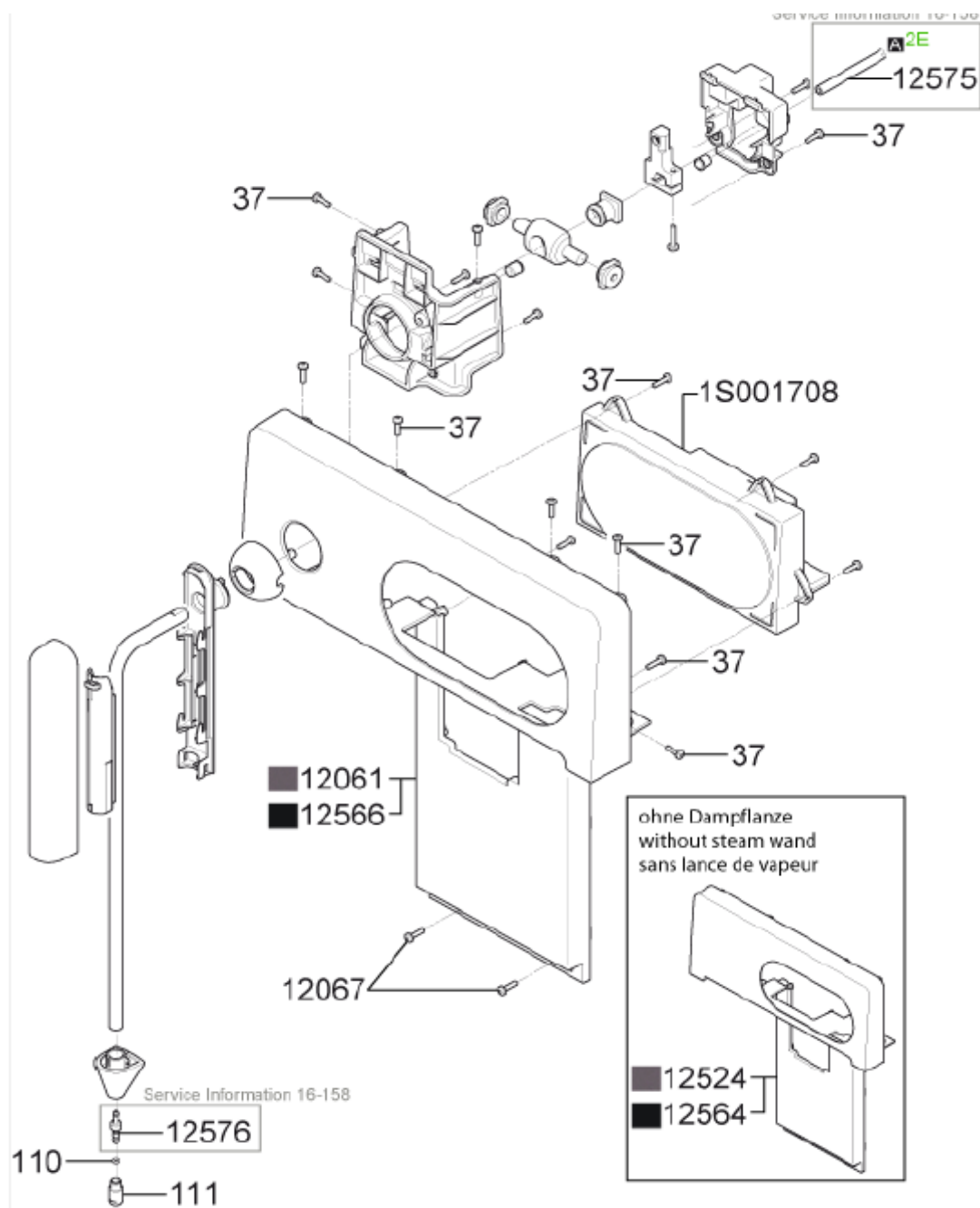


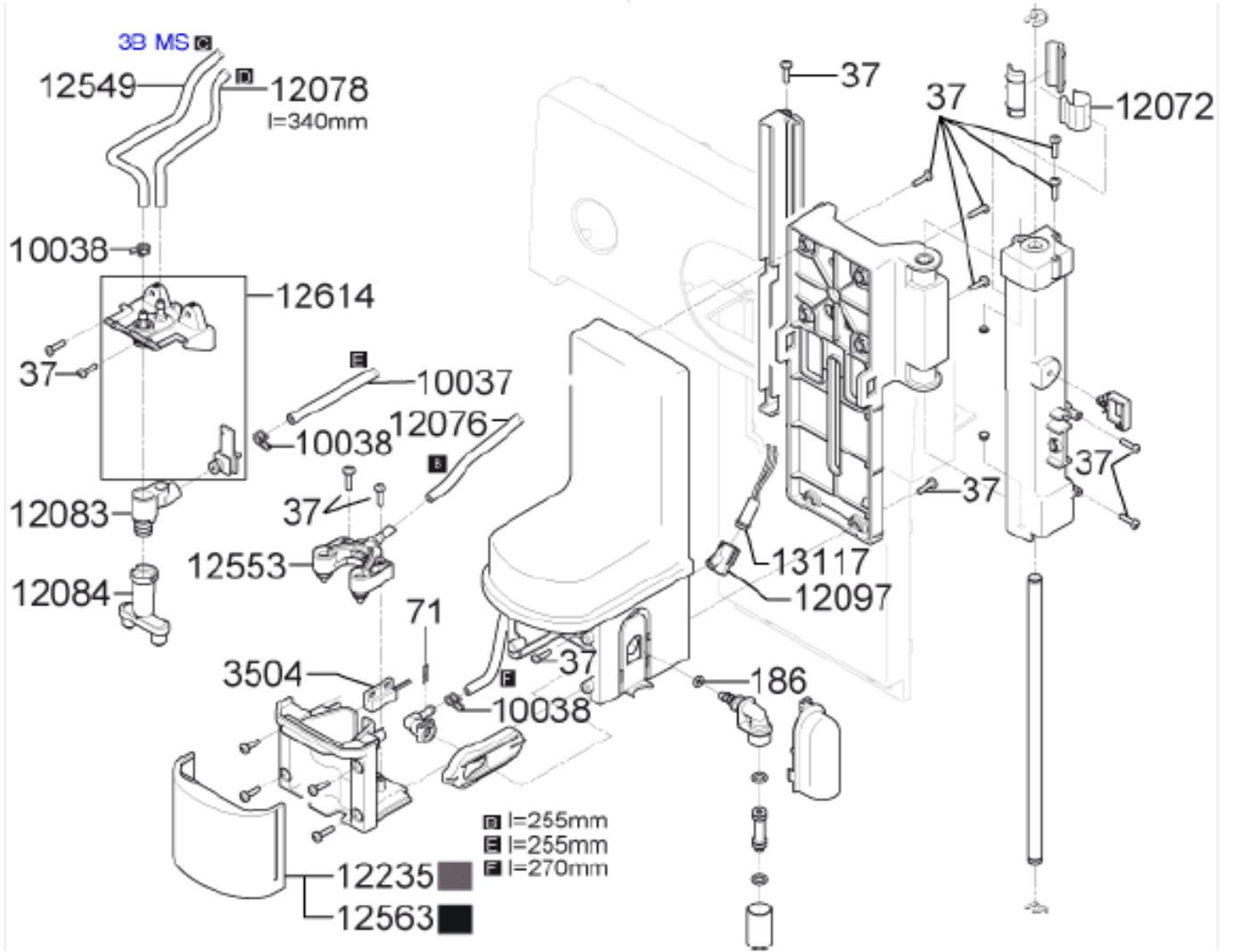
# A200 AKIŞ AĞIZI



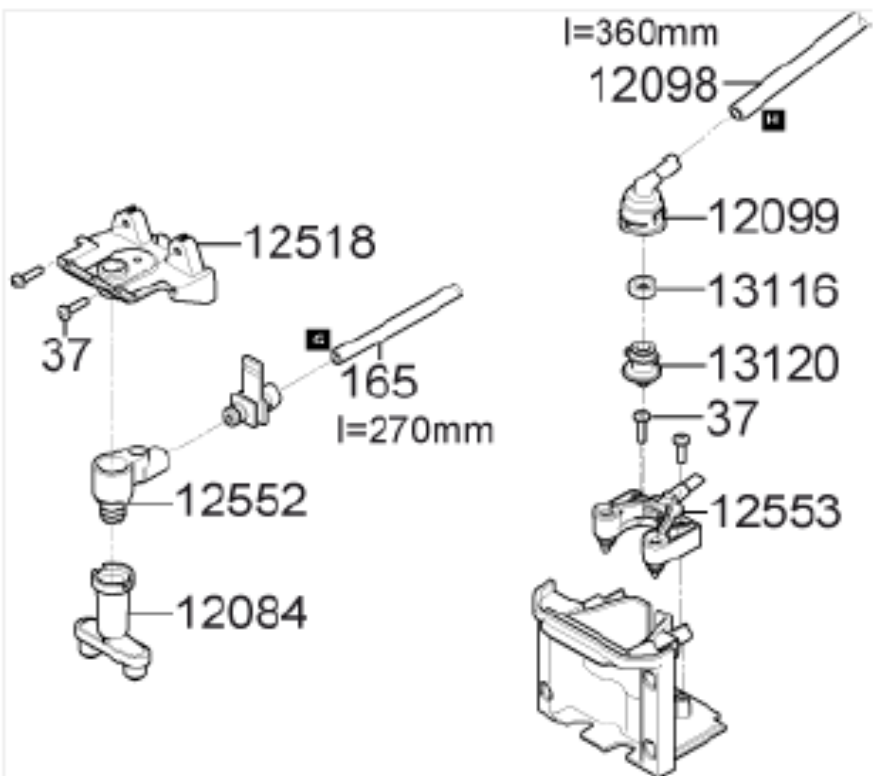
12573



# MS MILK SYSTEM



# FM FOAM MASTER



Front 651 anthracite	
Pos. CSS:	12061
Art. No. SAP:	560.0000.288
Screw KST/PT 3.0x12 stainless steel	
Pos. CSS:	12067
Art. No. SAP:	560.0000.294
Spring 651 for spout	
Pos. CSS:	12072
Art. No. SAP:	560.0000.299
Hose Ø3/1.5 MVQ	
Pos. CSS:	12076
Art. No. SAP:	560.0000.303
Reinforced hose Ø6/3 MVQ	
Pos. CSS:	12078
Art. No. SAP:	560.0000.305
Intake nozzle 651	
Pos. CSS:	12083
Art. No. SAP:	560.0000.308
Spout for milk 651	
Pos. CSS:	12084
Art. No. SAP:	560.0000.309
Support 651 for LED	
Pos. CSS:	12097
Art. No. SAP:	560.0000.321
Hose Ø5.0x1.50 MVQ	
Pos. CSS:	12098
Art. No. SAP:	560.0000.322
Elbow fitting 651	
Pos. CSS:	12099
Art. No. SAP:	560.0000.323
Cover 651	
Pos. CSS:	12235
Art. No. SAP:	560.0000.441
Adapter for spout 651FM-V2	
Pos. CSS:	12518
Art. No. SAP:	560.0000.687
Front 651 FM painted slate	
Pos. CSS:	12524
Art. No. SAP:	560.0000.693
Replacement hose 651 3B	
Pos. CSS:	12549
Art. No. SAP:	560.0000.712
Intake nozzle 577	
Pos. CSS:	12552
Art. No. SAP:	560.0000.715
Spout for coffee 651, assembled V2	
Pos. CSS:	12553
Art. No. SAP:	560.0000.716

Front 651 black w/ opening	
Pos. CSS:	12566
Art. No. SAP:	560.0000.729
Conversion kit disassemble steam wand	
Pos. CSS:	12573
Art. No. SAP:	560.0000.735
Replacement tube 651 2E US	
Pos. CSS:	12575
Art. No. SAP:	560.0000.737
Fluid/steam fitting 651	
Pos. CSS:	12576
Art. No. SAP:	560.0000.738
Seal 575 for spout	
Pos. CSS:	13116
Art. No. SAP:	560.0000.791
LED 575 for cup lighting, complete	
Pos. CSS:	13117
Art. No. SAP:	560.0000.792
Coffee spout 575	
Pos. CSS:	13120
Art. No. SAP:	560.0000.795
Hose Ø4/2,5 FEP	
Pos. CSS:	165
Art. No. SAP:	560.0002.240
Pan head PT screw, K30x12	
Pos. CSS:	37
Art. No. SAP:	560.0004.253
Clamp for pressure hose 770	
Pos. CSS:	71
Art. No. SAP:	560.0004.278
O-ring 3x1 MVQ	
Pos. CSS:	110
Art. No. SAP:	560.0004.305
Nozzle 790 for steam pipe	
Pos. CSS:	111
Art. No. SAP:	560.0004.306
O-ring 3.4x1.9 MVQ	
Pos. CSS:	186
Art. No. SAP:	560.0004.342
Reed sensor 640	
Pos. CSS:	3504
Art. No. SAP:	560.0004.506
Reinforced hose Ø6.5/3.5 MVQ	
Pos. CSS:	10037
Art. No. SAP:	560.0004.696
Hose clamp 7.0-7.5 V2	
Pos. CSS:	10038
Art. No. SAP:	560.0004.697

Cover 651, black SP

Pos. CSS: 12563  
Art. No. SAP: 560.0000.726

---

Front 651 black

Pos. CSS: 12564  
Art. No. SAP: 560.0000.727

Adapter 651, spout SP

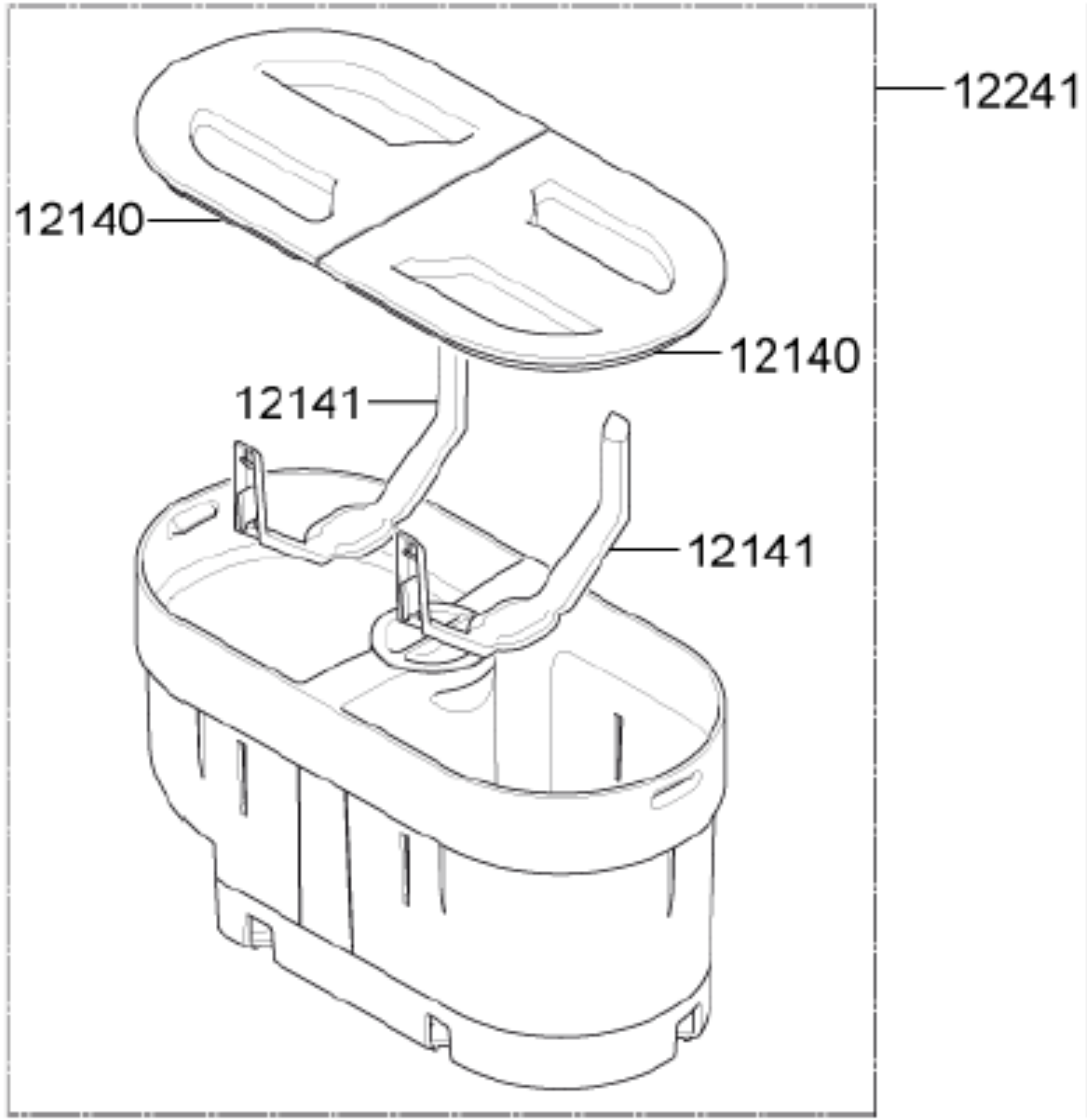
Pos. CSS: 12614  
Art. No. SAP: 560.0484.550

---

Operator panel assy 651 V6

Pos. CSS: 1S001708  
Art. No. SAP: 560.0546.433

# A200 ÇEKİRDEK HAZNESİ



Bean hopper lid 651 2K

Pos. CSS:

12140

Art. No. SAP:

560.0000.362

Bean hopper assembly 651

Pos. CSS:

12241

Art. No. SAP:

560.0000.447

Cap 651 bean hopper

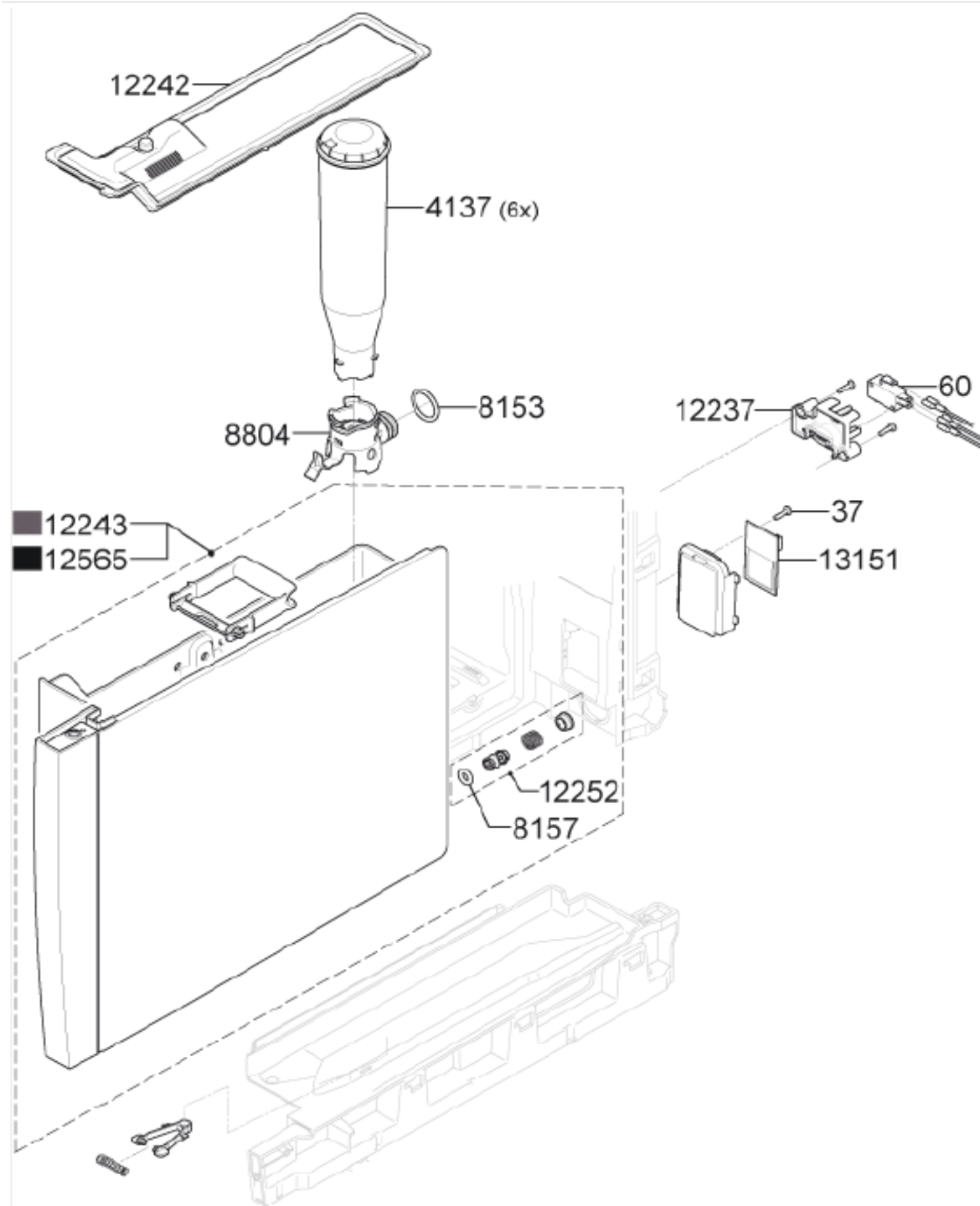
Pos. CSS:

12141

Art. No. SAP:

560.0000.363

# A200 DAHİLİ SU TANKI



Holder 575 assembled

Pos. CSS: 12237  
Art. No. SAP: 560.0000.443

Water tank lid 651

Pos. CSS: 12242  
Art. No. SAP: 560.0000.448

Water tank assembly 651

Pos. CSS: 12243  
Art. No. SAP: 560.0000.449

Valve 651 for water tank

Pos. CSS: 12252  
Art. No. SAP: 560.0000.456

O-ring 17x2.5

Pos. CSS: 8153  
Art. No. SAP: 560.0003.923

O-ring 6x3 MVQ

Pos. CSS: 8157  
Art. No. SAP: 560.0003.925

Filter holder

Pos. CSS: 8804  
Art. No. SAP: 560.0003.964

Pan head PT screw, K30x12

Pos. CSS: 37  
Art. No. SAP: 560.0004.253

Replacement water tank 651 black printed  
Pos. CSS: 12565  
Art. No. SAP: 560.0000.728

---

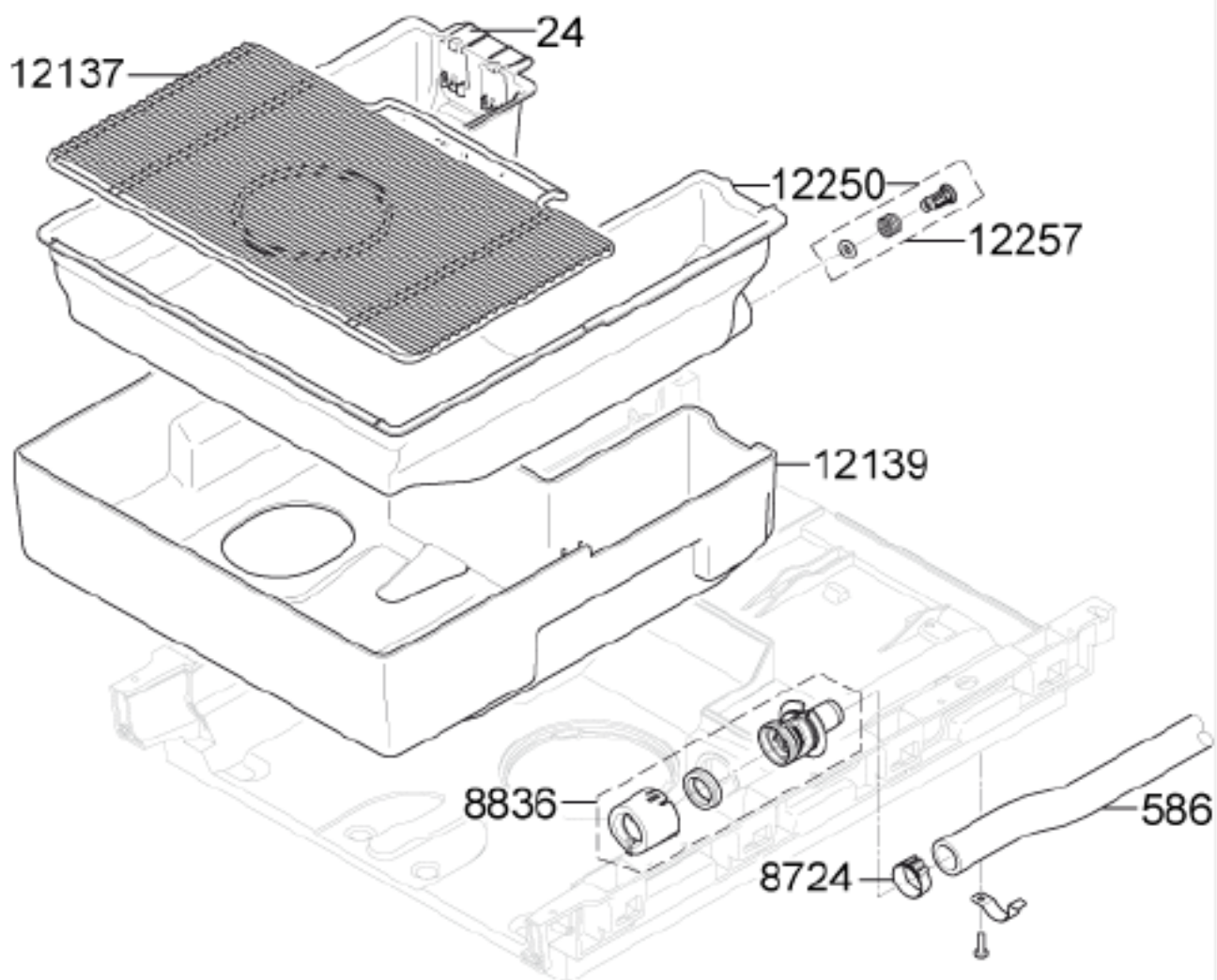
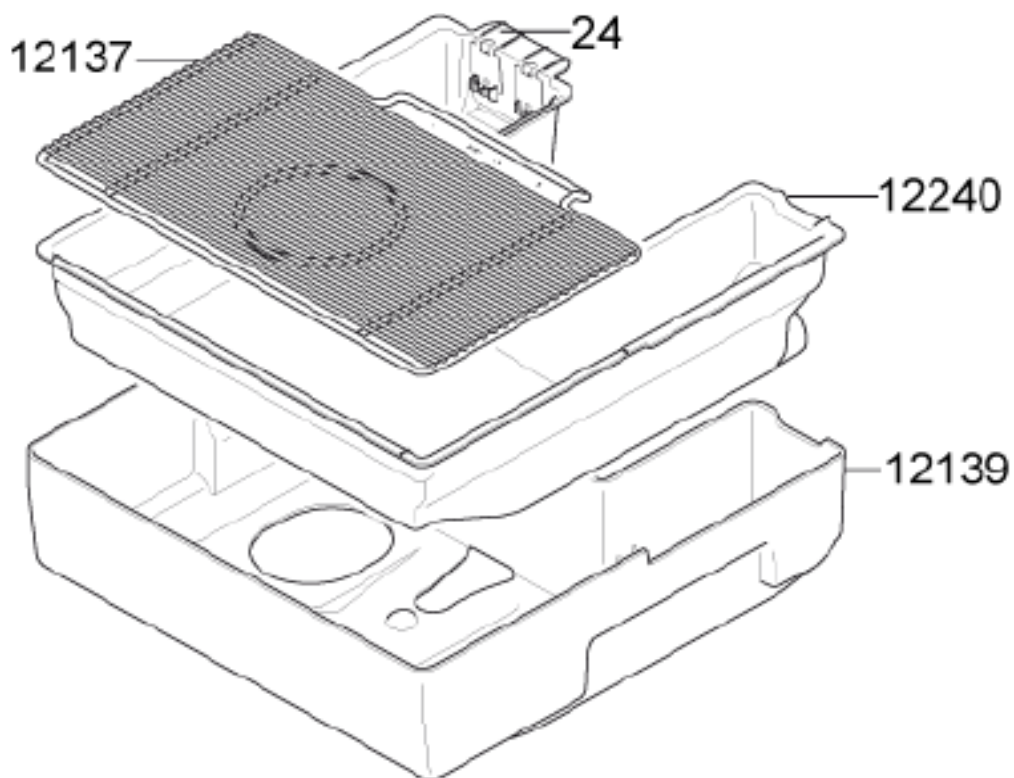
Sensor 503 water level  
Pos. CSS: 13151  
Art. No. SAP: 560.0000.826

Microswitch 125V/250V/16  
Pos. CSS: 60  
Art. No. SAP: 560.0004.268

---

Filter cartridge Claris 6 pcs  
Pos. CSS: 4137  
Art. No. SAP: 560.0004.630

# A200 DAMLALIK







12604

Drip grid 651 stainless steel

Pos. CSS: 12137  
 Art. No. SAP: 560.0000.359

Support 651 for drip tray

Pos. CSS: 12139  
 Art. No. SAP: 560.0000.361

Drip tray 651

Pos. CSS: 12240  
 Art. No. SAP: 560.0000.446

Drip tray 651 cpl direct outflow

Pos. CSS: 12250  
 Art. No. SAP: 560.0000.454

Drain hose  $\varnothing$ 20/14,5x2000

Pos. CSS: 586  
 Art. No. SAP: 560.0003.712

Hose clamp 19.5-21

Pos. CSS: 8724  
 Art. No. SAP: 560.0003.947

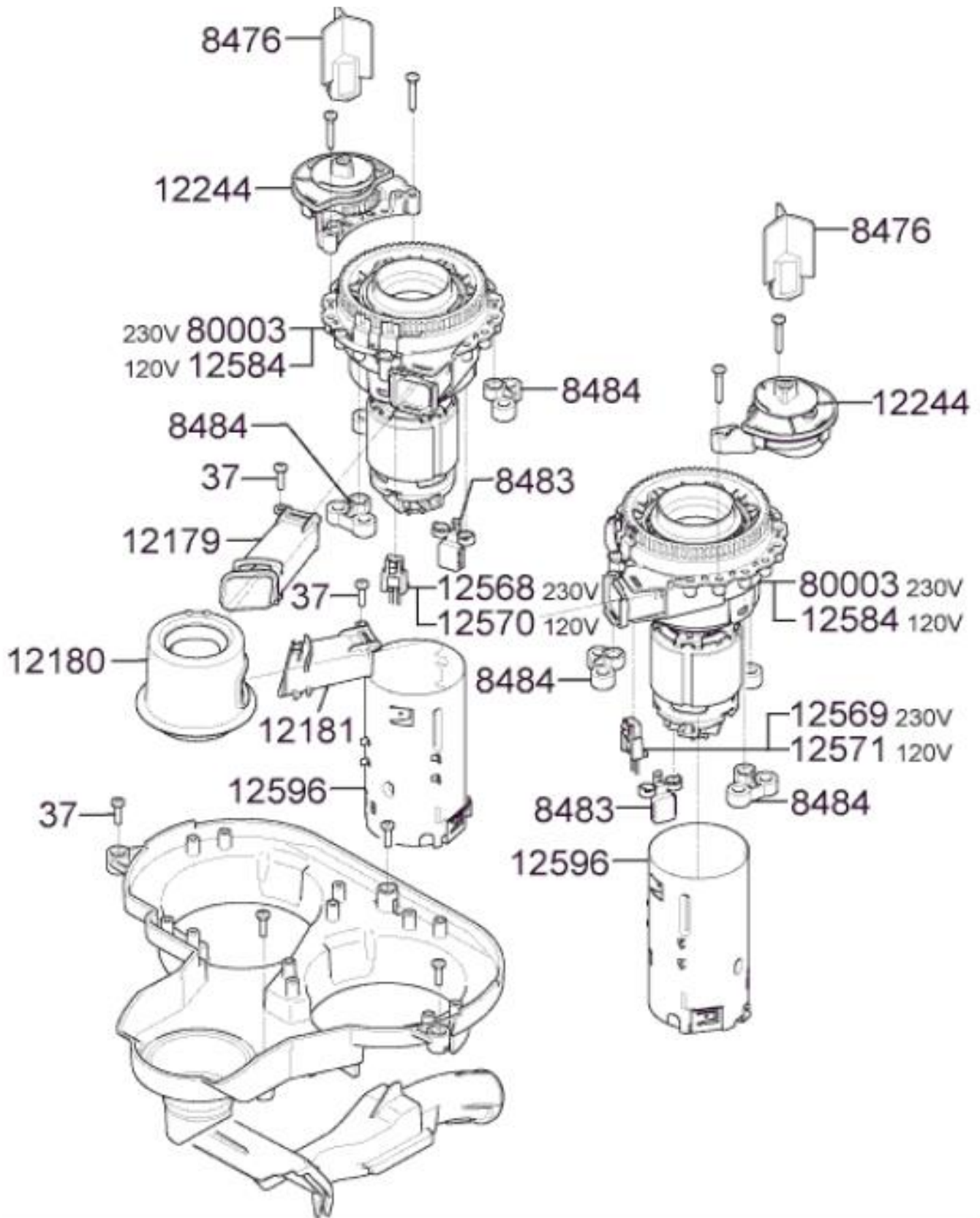
Replacement valve insert for drip tray

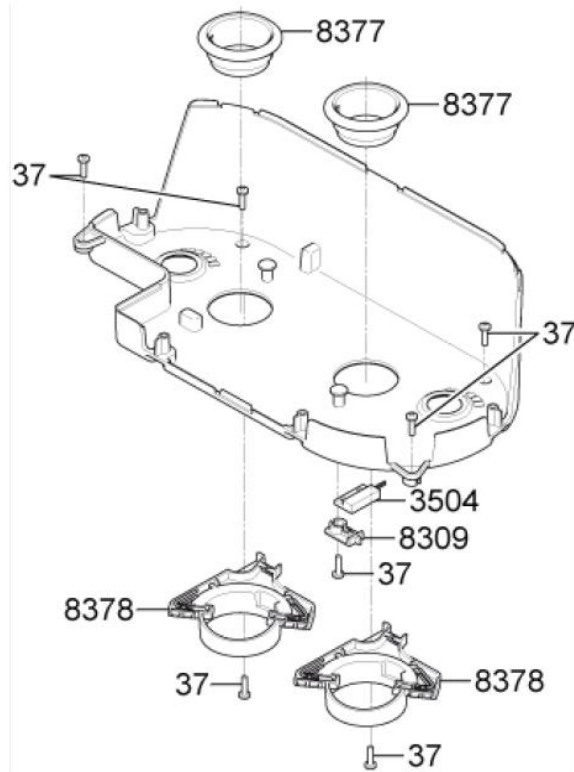
Pos. CSS: 8836  
 Art. No. SAP: 560.0004.053

Spring finger 790

Pos. CSS: 24  
 Art. No. SAP: 560.0004.245

# A200 DEĞİRMEN





**Powder chute 651 left-hand**

Pos. CSS: 12179  
Art. No. SAP: 560.0000.395

**Cover 651 for powder funnel**

Pos. CSS: 12180  
Art. No. SAP: 560.0000.396

**Powder chute 651 right-hand**

Pos. CSS: 12181  
Art. No. SAP: 560.0000.397

**Grinder adjustment mechanism 651**

Pos. CSS: 12244  
Art. No. SAP: 560.0000.450

**Cable temperature contr. Grinder LH EU**

Pos. CSS: 12568  
Art. No. SAP: 560.0000.730

**Cable temperature contr. Grinder LH**

Pos. CSS: 12569  
Art. No. SAP: 560.0000.731

**Ct. temp. controller f. grd. lft. US**

Pos. CSS: 12570  
Art. No. SAP: 560.0000.732

**Ct. temp. controller f. grd. rt. US**

Pos. CSS: 12571  
Art. No. SAP: 560.0000.733

**Grinding unit 647 120 V complete V2**

Pos. CSS: 12584  
Art. No. SAP: 560.0000.746

**Cover plate 651 for grinder**

Pos. CSS: 12596  
Art. No. SAP: 560.0000.758

**Mounting bracket for Reed sensor**

Pos. CSS: 8309  
Art. No. SAP: 560.0003.853

**Collar, black**

Pos. CSS: 8377  
Art. No. SAP: 560.0003.869

**IR coffee bean monitor, complete**

Pos. CSS: 8378  
Art. No. SAP: 560.0003.870

**Grinder adjustment wrench**

Pos. CSS: 8476  
Art. No. SAP: 560.0003.876

**Speed sensor**

Pos. CSS: 8483  
Art. No. SAP: 560.0003.877

**Vibration damper for grinder**

Pos. CSS: 8484  
Art. No. SAP: 560.0003.878

**Grinder**

Pos. CSS: 80003  
Art. No. SAP: 560.0004.176

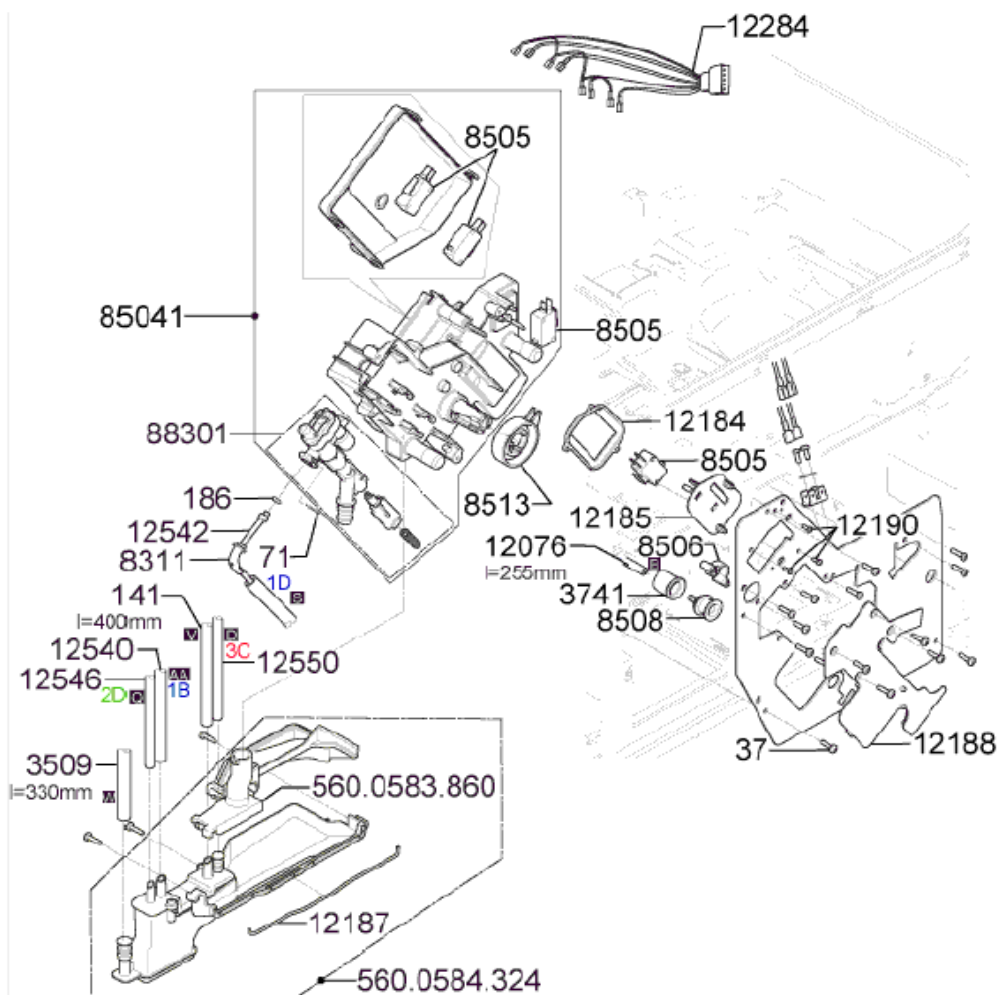
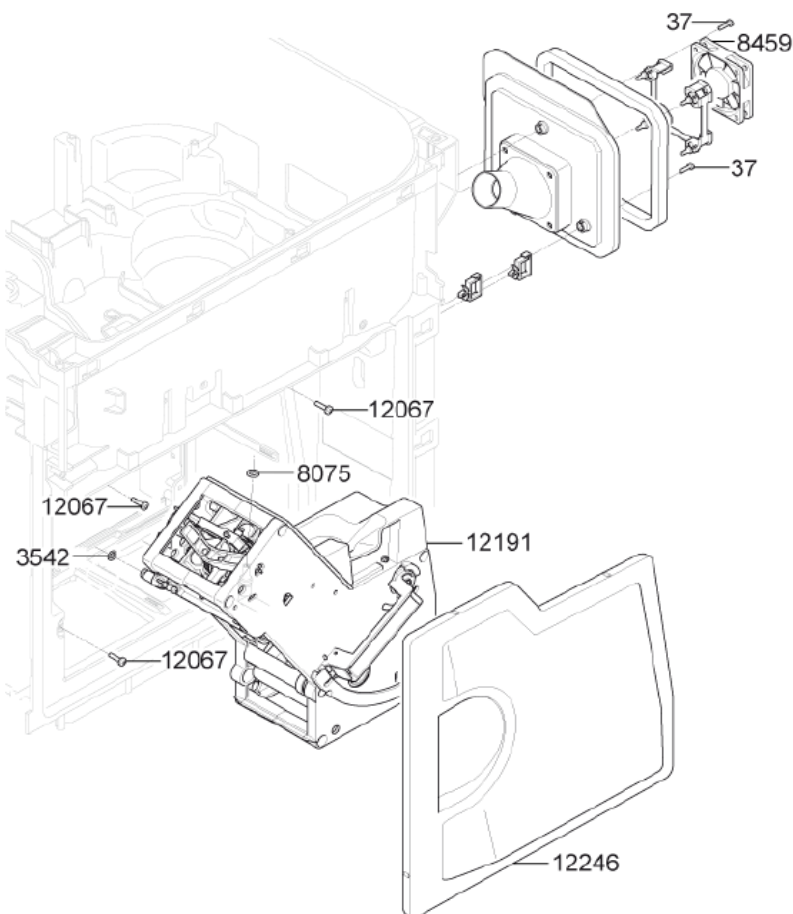
**Pan head PT screw, K30x12**

Pos. CSS: 37  
Art. No. SAP: 560.0004.253

**Reed sensor 640**

Pos. CSS: 3504  
Art. No. SAP: 560.0004.506

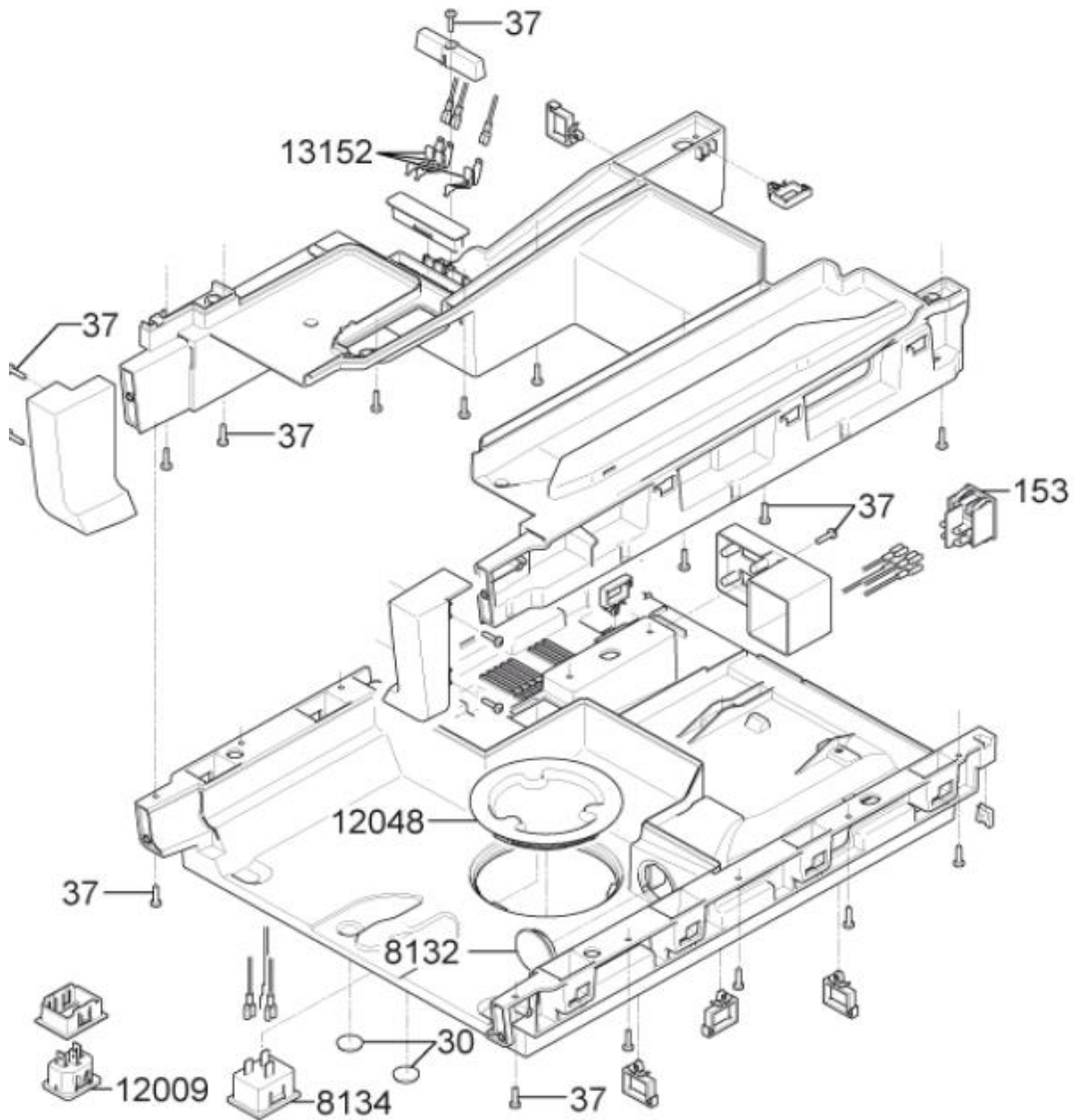
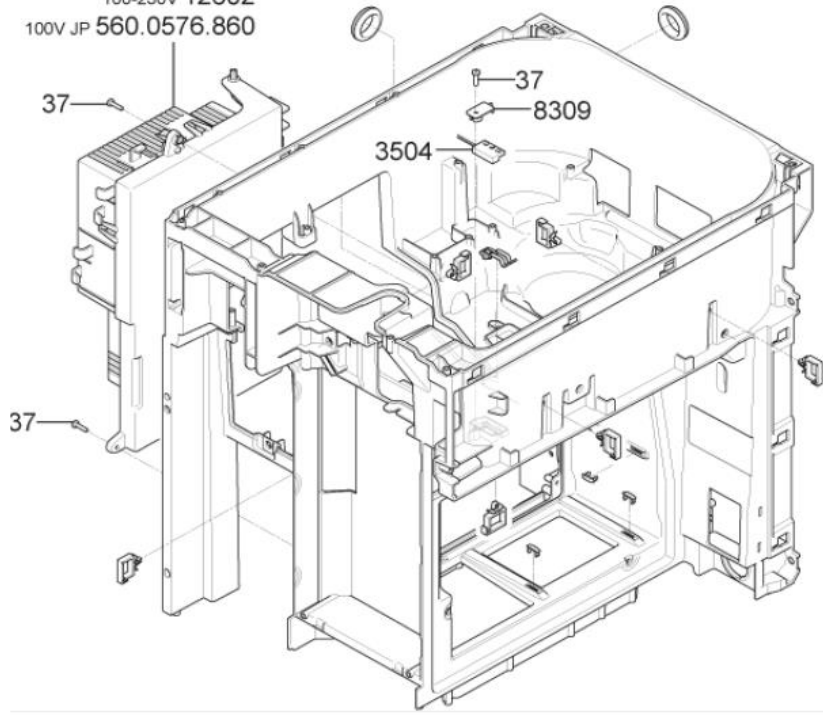
# A200 DEMLEME ÜNİTESİ



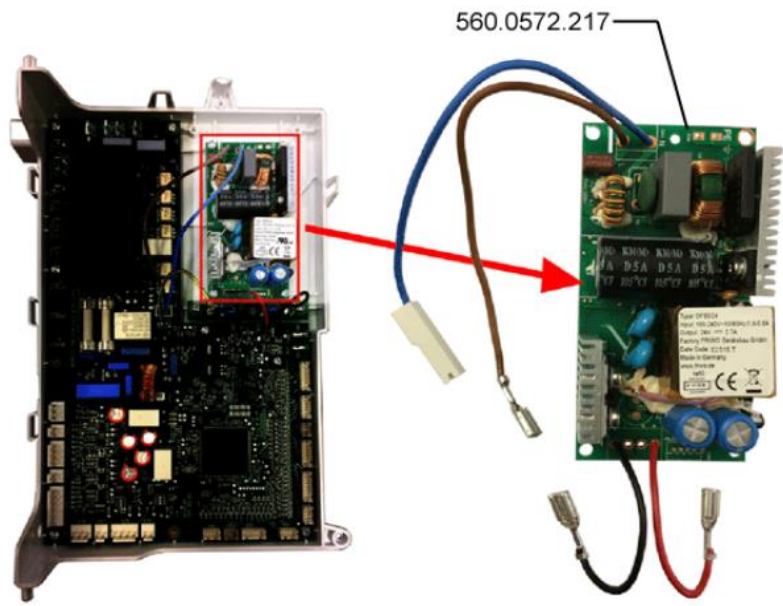
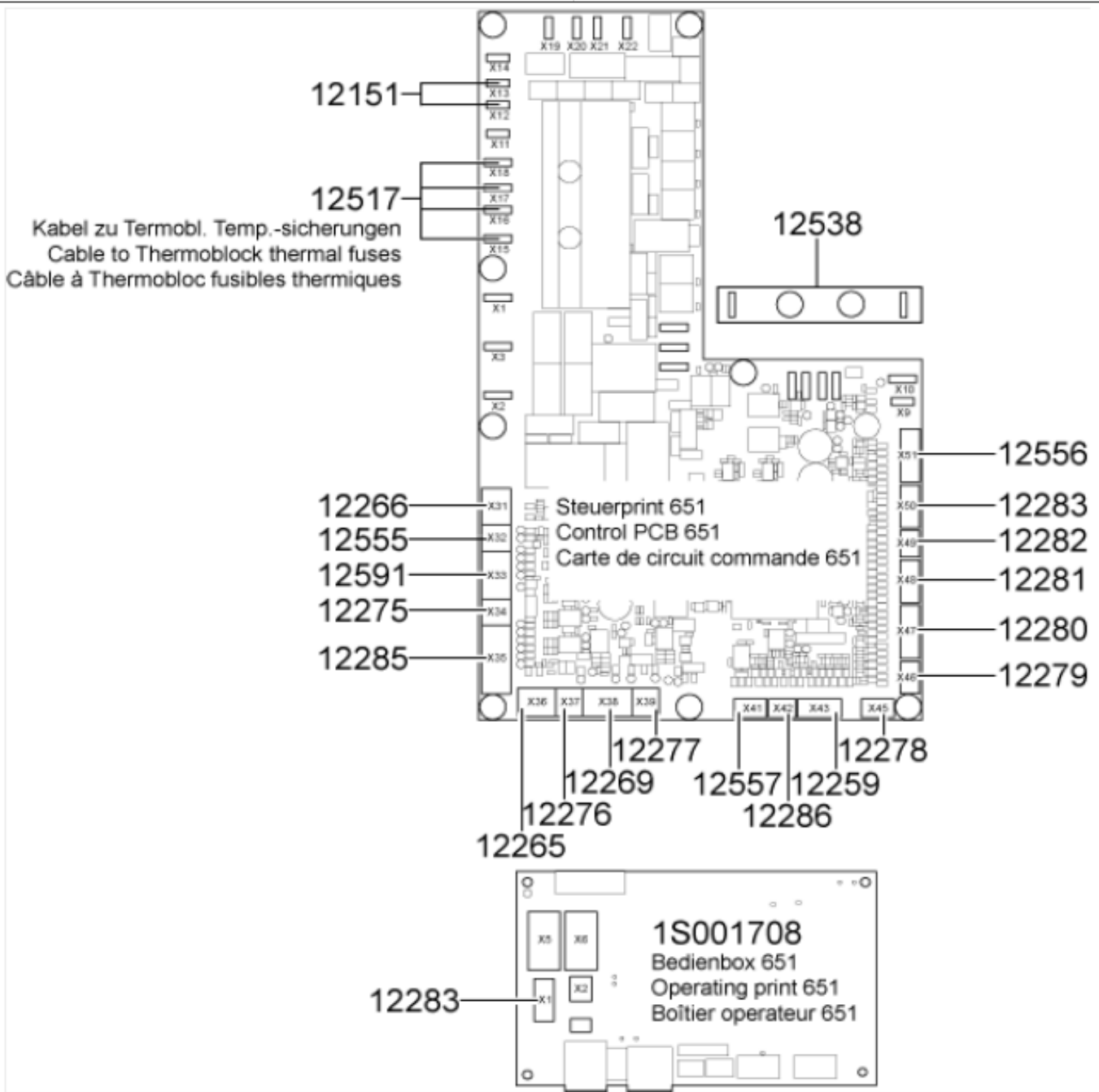
Screw KST/PT 3.0x12 stainless steel		Clamp for spout	
Pos. CSS:	12067	Pos. CSS:	8506
Art. No. SAP:	560.0000.294	Art. No. SAP:	560.0003.879
Hose Ø3/1.5 MVQ		I-shaped fitting	
Pos. CSS:	12076	Pos. CSS:	8508
Art. No. SAP:	560.0000.303	Art. No. SAP:	560.0003.880
Retaining ring 046 type 647		Driver	
Pos. CSS:	12184	Pos. CSS:	8513
Art. No. SAP:	560.0000.400	Art. No. SAP:	560.0003.882
Holder 046 type 647		Microswitch 0.1A/250V/2x4.8x0.8	
Pos. CSS:	12185	Pos. CSS:	8505
Art. No. SAP:	560.0000.401	Art. No. SAP:	560.0003.937
Seal 651 for tray		O-ring 5.70x1.90	
Pos. CSS:	12187	Pos. CSS:	8075
Art. No. SAP:	560.0000.403	Art. No. SAP:	560.0004.079
Cover 651 for drainage valve		Drive for brewing unit V14	
Pos. CSS:	12188	Pos. CSS:	85041
Art. No. SAP:	560.0000.404	Art. No. SAP:	560.0004.178
Screw, KST/PT 2.5x 8 stainless steel		Drainage valve V9	
Pos. CSS:	12190	Pos. CSS:	88301
Art. No. SAP:	560.0000.406	Art. No. SAP:	560.0004.179
Brewing unit A-046 type 647 V9		Pan head PT screw, K30x12	
Pos. CSS:	12191	Pos. CSS:	37
Art. No. SAP:	560.0000.407	Art. No. SAP:	560.0004.253
Cover for brewing unit 651		Clamp for pressure hose 770	
Pos. CSS:	12246	Pos. CSS:	71
Art. No. SAP:	560.0000.452	Art. No. SAP:	560.0004.278
5-fold connector 651		O-ring 3.4x1.9 MVQ	
Pos. CSS:	12284	Pos. CSS:	186
Art. No. SAP:	560.0000.484	Art. No. SAP:	560.0004.342
Replacement hose 651 1B		O-ring 5.00x1.50 MVQ/2-K	
Pos. CSS:	12540	Pos. CSS:	3542
Art. No. SAP:	560.0000.703	Art. No. SAP:	560.0004.540
Replacement hose 651 1D		Hose Ø9/5 MVQ	
Pos. CSS:	12542	Pos. CSS:	3509
Art. No. SAP:	560.0000.705	Art. No. SAP:	560.0004.579
Replacement hose 651 2D		Hose sleeve 654 black	
Pos. CSS:	12546	Pos. CSS:	3741
Art. No. SAP:	560.0000.709	Art. No. SAP:	560.0004.613
Replacement hose 651 3C		Hose Ø10/1.5 MVQ	
Pos. CSS:	12550	Pos. CSS:	141
Art. No. SAP:	560.0000.713	Art. No. SAP:	560.0008.476
Anti-kink protection 90° Ø4		Cover for drainage valve FCS4039	
Pos. CSS:	8311	Pos. CSS:	560.0583.860
Art. No. SAP:	560.0003.854	Art. No. SAP:	560.0583.860
Fan		Expansion tank assembled FCS4039 V2	
Pos. CSS:	8459	Pos. CSS:	560.0584.324
Art. No. SAP:	560.0003.875	Art. No. SAP:	560.0584.324

# A200 ELEKTRİK & ELEKTRONİK

100-230V 12602  
100V JP 560.0576.860







Bottom cover for grounds ejection	
Pos. CSS:	12048
Art. No. SAP:	560.0000.276
Thermostat TB02-B-B8D-105	
Pos. CSS:	12151
Art. No. SAP:	560.0000.371
12-fold connector 651 V2	
Pos. CSS:	12259
Art. No. SAP:	560.0000.459
Triple connector 651	
Pos. CSS:	12265
Art. No. SAP:	560.0000.465
Triple connector 651	
Pos. CSS:	12266
Art. No. SAP:	560.0000.466
4-fold connector 651	
Pos. CSS:	12269
Art. No. SAP:	560.0000.469
Double connector 651	
Pos. CSS:	12275
Art. No. SAP:	560.0000.475
Double connector 651	
Pos. CSS:	12276
Art. No. SAP:	560.0000.476
Double connector 651	
Pos. CSS:	12277
Art. No. SAP:	560.0000.477
8-fold connector 651 V2	
Pos. CSS:	12278
Art. No. SAP:	560.0000.478
8-fold connector 651 V2	
Pos. CSS:	12279
Art. No. SAP:	560.0000.479
16-fold connector 651 V2	
Pos. CSS:	12280
Art. No. SAP:	560.0000.480
14-fold connector 651 V2	
Pos. CSS:	12281
Art. No. SAP:	560.0000.481
6-fold connector 651 V2	
Pos. CSS:	12282
Art. No. SAP:	560.0000.482
12-fold connector 651 V2	
Pos. CSS:	12283
Art. No. SAP:	560.0000.483
6-fold connector 651	
Pos. CSS:	12285
Art. No. SAP:	560.0000.485

Cable, capsule brewing unit motor	
Pos. CSS:	12555
Art. No. SAP:	560.0000.718
Cable, capsule brewing unit sensor	
Pos. CSS:	12556
Art. No. SAP:	560.0000.719
CAN interface cable	
Pos. CSS:	12557
Art. No. SAP:	560.0000.720
Cable for valve V7	
Pos. CSS:	12592
Art. No. SAP:	560.0000.754
Cable brewing unit drive	
Pos. CSS:	12593
Art. No. SAP:	560.0000.755
Control PCA 651 100-230 V V3	
Pos. CSS:	12602
Art. No. SAP:	560.0000.764
Spring finger 630 stainless steel V2	
Pos. CSS:	13152
Art. No. SAP:	560.0000.827
Mounting bracket for Reed sensor	
Pos. CSS:	8309
Art. No. SAP:	560.0003.853
Cover for bottom	
Pos. CSS:	8132
Art. No. SAP:	560.0003.920
Device plug	
Pos. CSS:	8134
Art. No. SAP:	560.0003.921
Elastic buffer SJ-6115, black	
Pos. CSS:	30
Art. No. SAP:	560.0004.248
Pan head PT screw, K30x12	
Pos. CSS:	37
Art. No. SAP:	560.0004.253
Switch 1832.3313 unlit	
Pos. CSS:	153
Art. No. SAP:	560.0004.329
Reed sensor 640	
Pos. CSS:	3504
Art. No. SAP:	560.0004.506
Device plug C14	
Pos. CSS:	12009
Art. No. SAP:	560.0005.976
Operator panel assy 651 V6	
Pos. CSS:	15001708
Art. No. SAP:	560.0546.433



6-fold connector 651 V2

Pos. CSS: 12286  
Art. No. SAP: 560.0000.486

---

6-fold connector 651, thermoblock

Pos. CSS: 12517  
Art. No. SAP: 560.0000.686

---

Interference filter 651 assembled

Pos. CSS: 12538  
Art. No. SAP: 560.0000.701

Switched-mode power supply unit

Pos. CSS: 560.0572.217  
Art. No. SAP: 560.0572.217

---

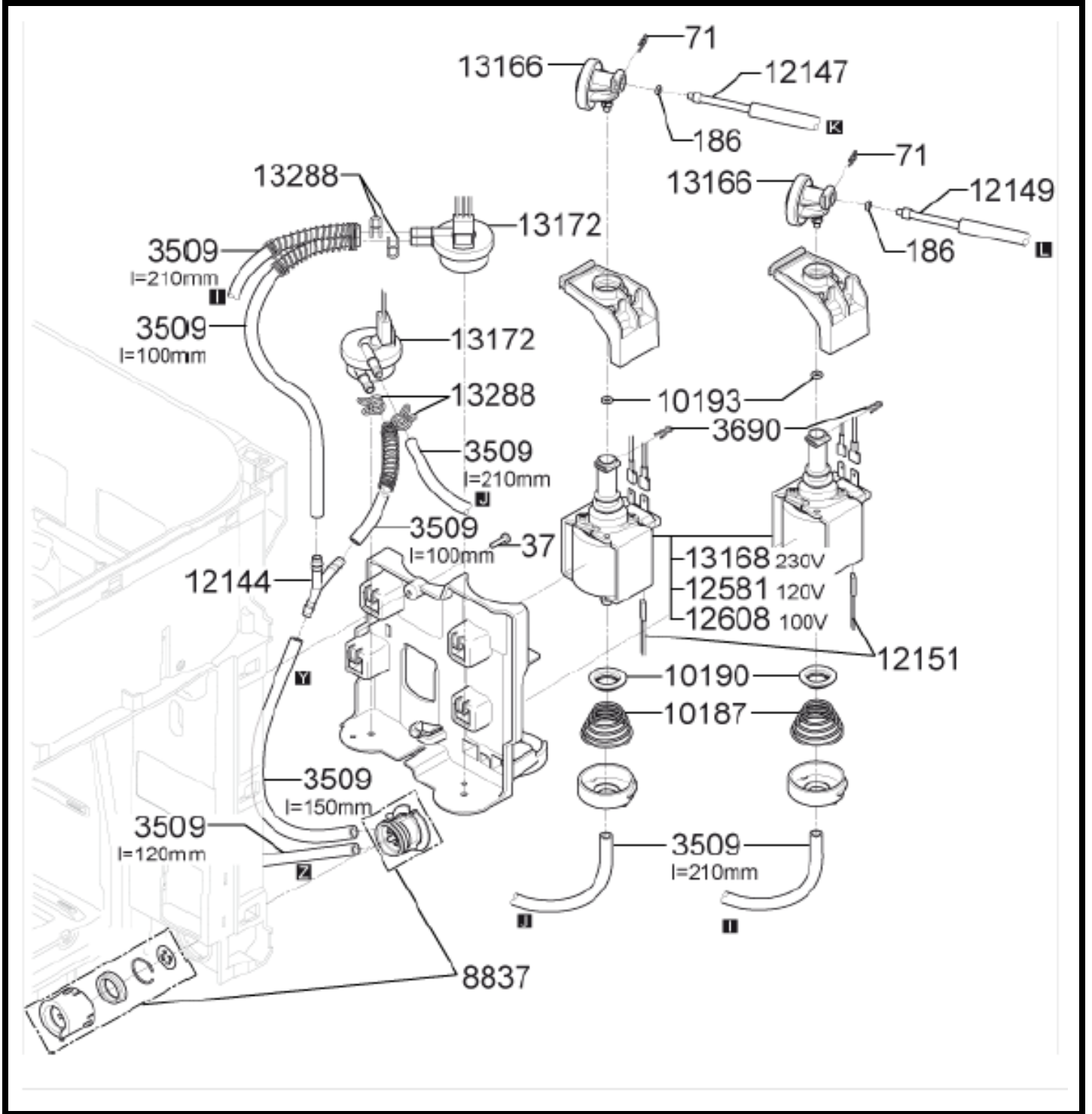
Control PCA 651 100V JP

Pos. CSS: 560.0576.860  
Art. No. SAP: 560.0576.860

---



# A200 POMPA AKIŞ ÖLÇER



Y fitting 7.5mm

Pos. CSS: 12144  
Art. No. SAP: 560.0000.365

Hose  $\varnothing$ 4.0/2.50x620 FEP

Pos. CSS: 12147  
Art. No. SAP: 560.0000.367

Hose  $\varnothing$ 4.0/2.50x440 FEP

Pos. CSS: 12149  
Art. No. SAP: 560.0000.369

Termostat TB02-B-B8D-105

Pos. CSS: 12151  
Art. No. SAP: 560.0000.371

Pan head PT screw, K30x12

Pos. CSS: 37  
Art. No. SAP: 560.0004.253

Clamp for pressure hose 770

Pos. CSS: 71  
Art. No. SAP: 560.0004.278

O-ring 3.4x1.9 MVQ

Pos. CSS: 186  
Art. No. SAP: 560.0004.342

Hose  $\varnothing$ 9/5 MVQ

Pos. CSS: 3509  
Art. No. SAP: 560.0004.579

Pump SAP.HP4.V03 US  
Pos. CSS: 12581  
Art. No. SAP: 560.0000.743

Pulsation damper 004 V3  
Pos. CSS: 13166  
Art. No. SAP: 560.0000.840

Pump SAP.HP4.V03 S EU V2  
Pos. CSS: 13168  
Art. No. SAP: 560.0000.842

Flow meter FHKSC 12 0°-OT1.3  
Pos. CSS: 13172  
Art. No. SAP: 560.0000.846

Hose clamp 9.8-10.4 V2  
Pos. CSS: 13288  
Art. No. SAP: 560.0000.937

Repl. valve insert for water connection  
Pos. CSS: 8837  
Art. No. SAP: 560.0004.052

Clamp Ø5 bronzed  
Pos. CSS: 3690  
Art. No. SAP: 560.0004.607

Compression spring conical 1.6x17x35.5  
Pos. CSS: 10187  
Art. No. SAP: 560.0004.762

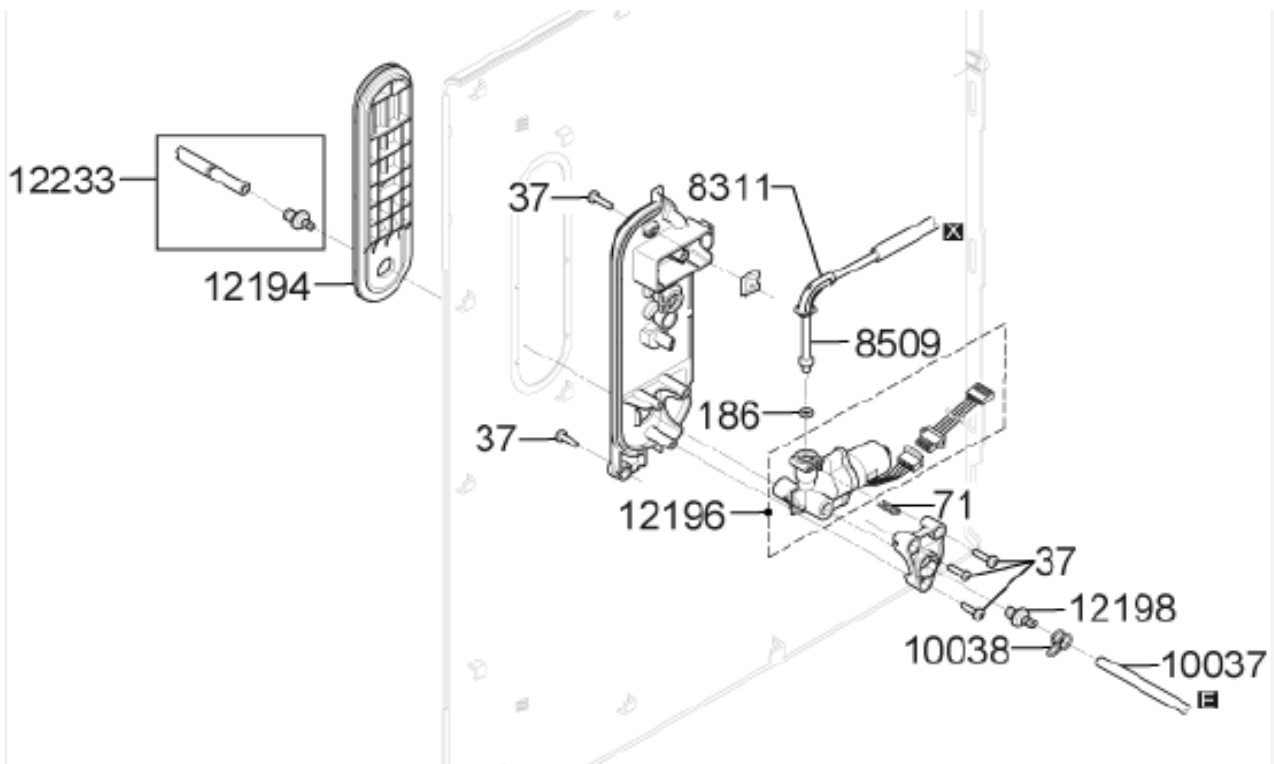
Pump holder 509  
Pos. CSS: 10190  
Art. No. SAP: 560.0004.765

O-ring 003.40x1.90 EPDM V3  
Pos. CSS: 10193  
Art. No. SAP: 560.0004.767

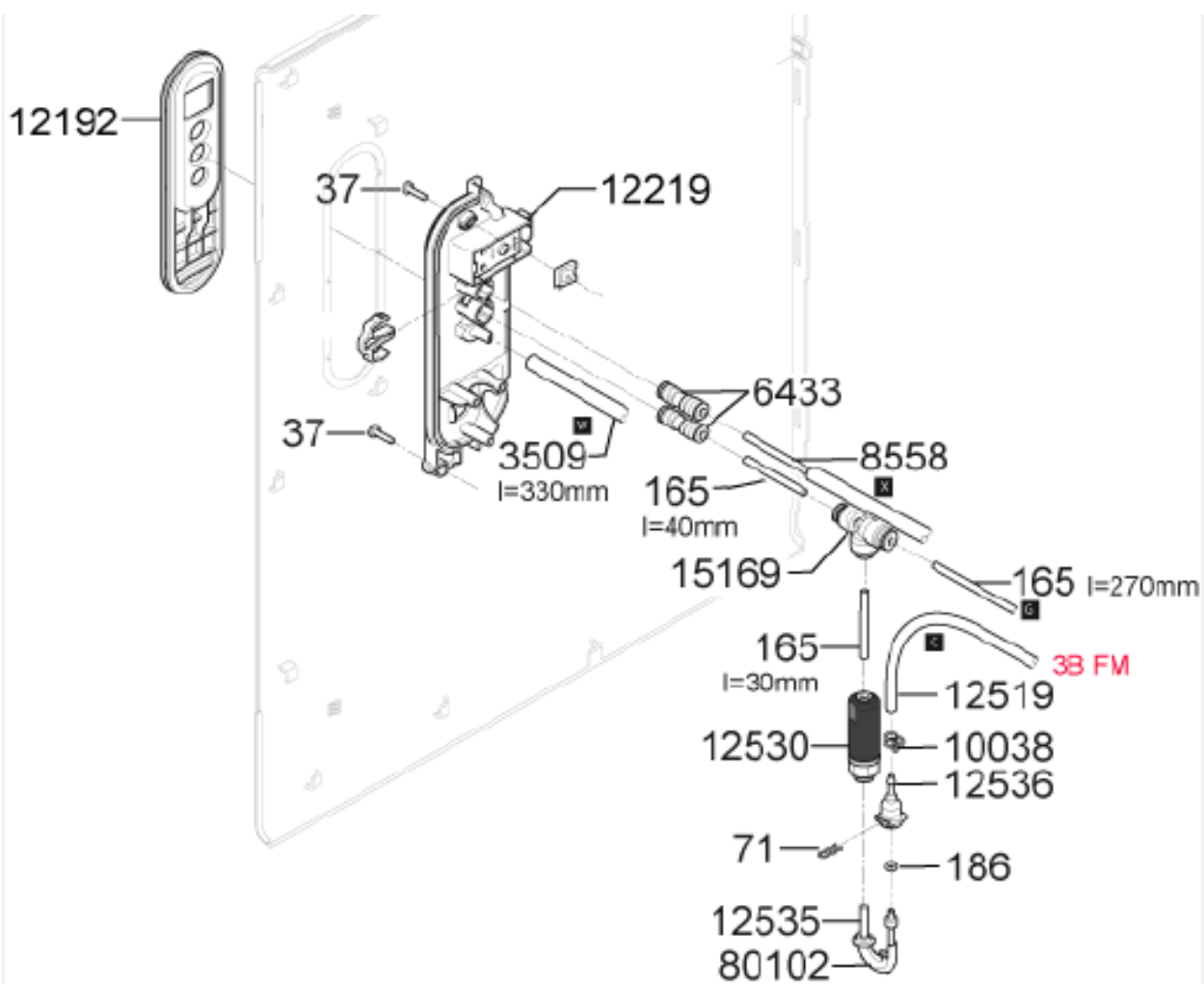
Repl. pump SAP.HP4.V03 S JP  
Pos. CSS: 12608  
Art. No. SAP: 560.0484.548

# A200 SÜT SİSTEMİ

## MS MILK SYSTEM



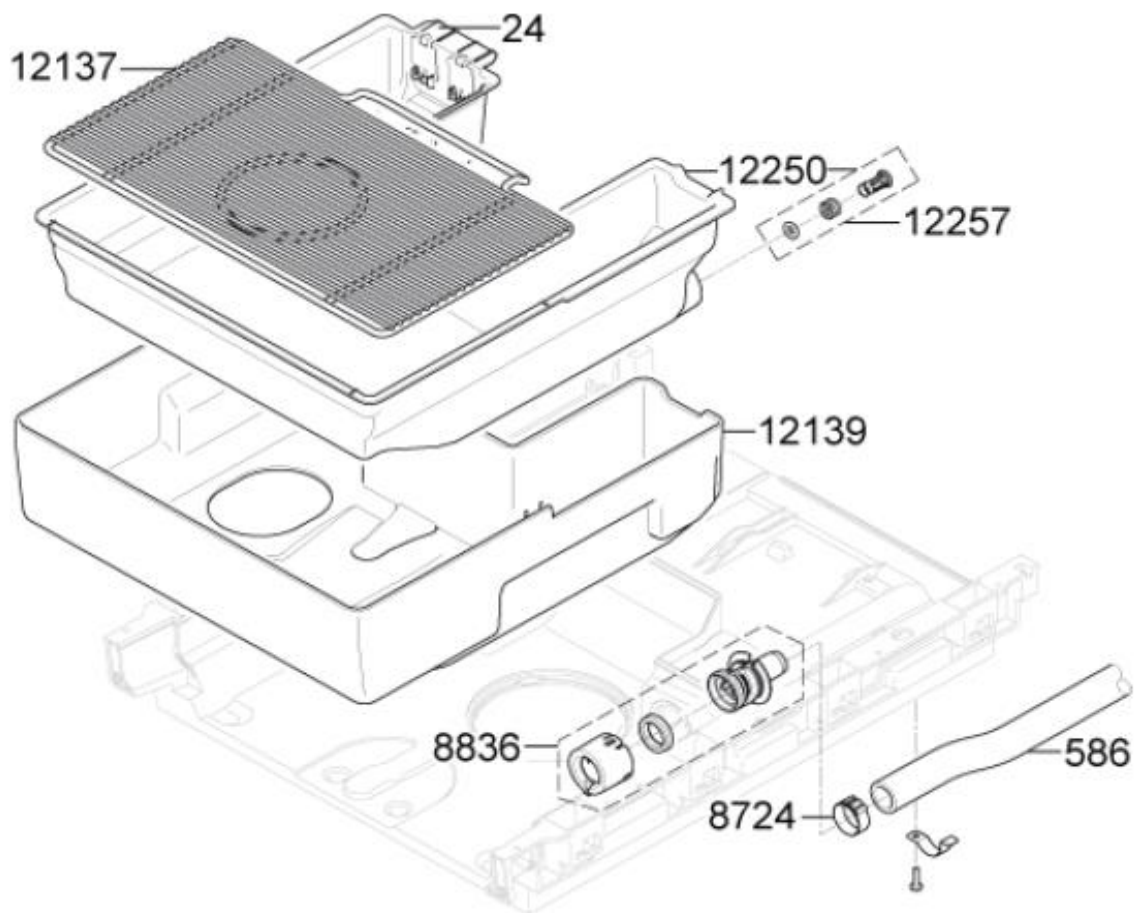
## FM FOAM MASTER



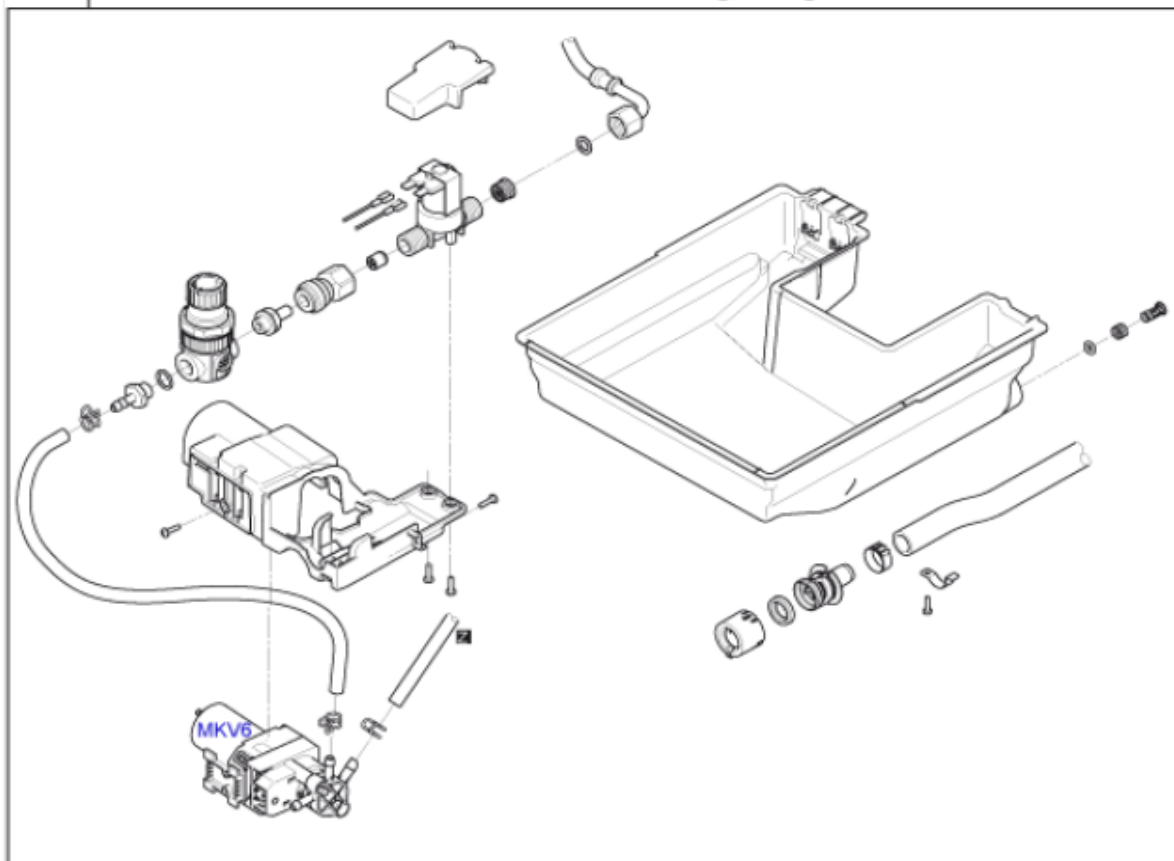
Collar 651 for milk fitting FM	
Pos. CSS:	12192
Art. No. SAP:	560.0000.408
Collar 651 for milk fitting	
Pos. CSS:	12194
Art. No. SAP:	560.0000.409
Replacement mixing valve US	
Pos. CSS:	12196
Art. No. SAP:	560.0000.411
I-shaped fluid nipple 651 3.0	
Pos. CSS:	12198
Art. No. SAP:	560.0000.413
Support plate 651 for FM with PCA	
Pos. CSS:	12219
Art. No. SAP:	560.0000.432
Hose for milk	
Pos. CSS:	12233
Art. No. SAP:	560.0000.439
Hose Ø06.5x3.0x285	
Pos. CSS:	12519
Art. No. SAP:	560.0000.688
Check valve Ø4/Ø4 HOP	
Pos. CSS:	12530
Art. No. SAP:	560.0000.695
Hose Ø4.0/2.5x80 PFA	
Pos. CSS:	12535
Art. No. SAP:	560.0000.698
Fluid nipple single	
Pos. CSS:	12536
Art. No. SAP:	560.0000.699

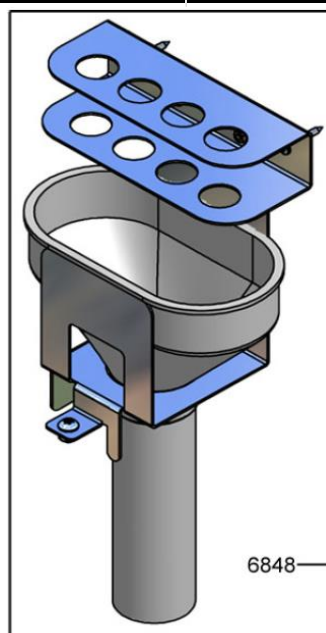
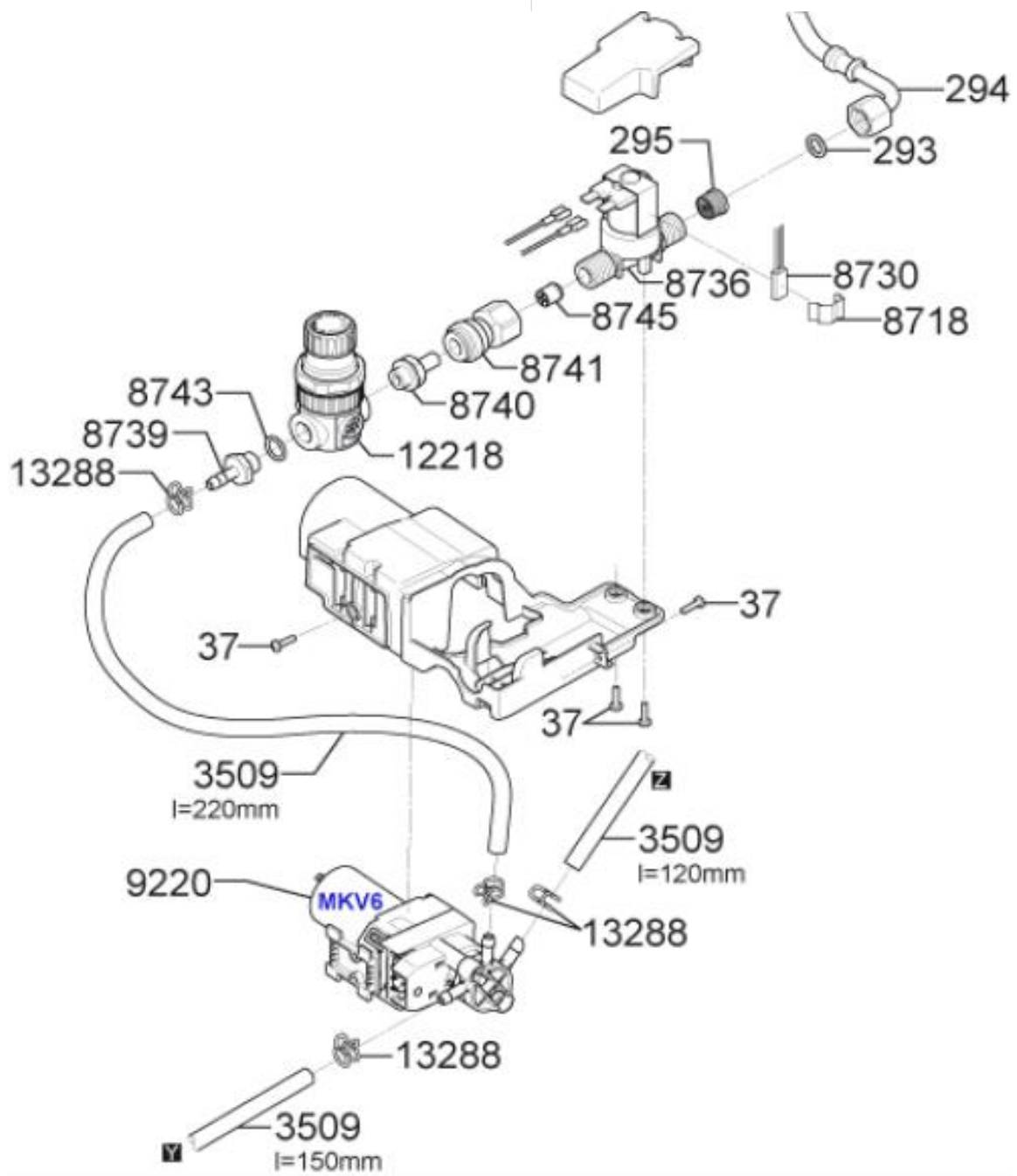
anti-kink protection 90° Ø4	
Pos. CSS:	8311
Art. No. SAP:	560.0003.854
Hose Ø4/2.5x300	
Pos. CSS:	8509
Art. No. SAP:	560.0003.881
Hose Ø4/2.5x300	
Pos. CSS:	8558
Art. No. SAP:	560.0003.902
Anti-kink protection 180° Ø4	
Pos. CSS:	80102
Art. No. SAP:	560.0004.227
Pan head PT screw, K30x12	
Pos. CSS:	37
Art. No. SAP:	560.0004.253
Clamp for pressure hose 770	
Pos. CSS:	71
Art. No. SAP:	560.0004.278
O-ring 3.4x1.9 MVQ	
Pos. CSS:	186
Art. No. SAP:	560.0004.342
Hose Ø9/5 MVQ	
Pos. CSS:	3509
Art. No. SAP:	560.0004.579
Reinforced hose Ø6.5/3.5 MVQ	
Pos. CSS:	10037
Art. No. SAP:	560.0004.696
Hose clamp 7.0-7.5 V2	
Pos. CSS:	10038
Art. No. SAP:	560.0004.697

# A200 TEMİZ & PİS SU



**12049** Set Festwasseranschluss inkl. Tropfschale  
Fixed water connection kit incl. drip tray  
Kit connexion d'eau fixe incl. bac d'égouttage



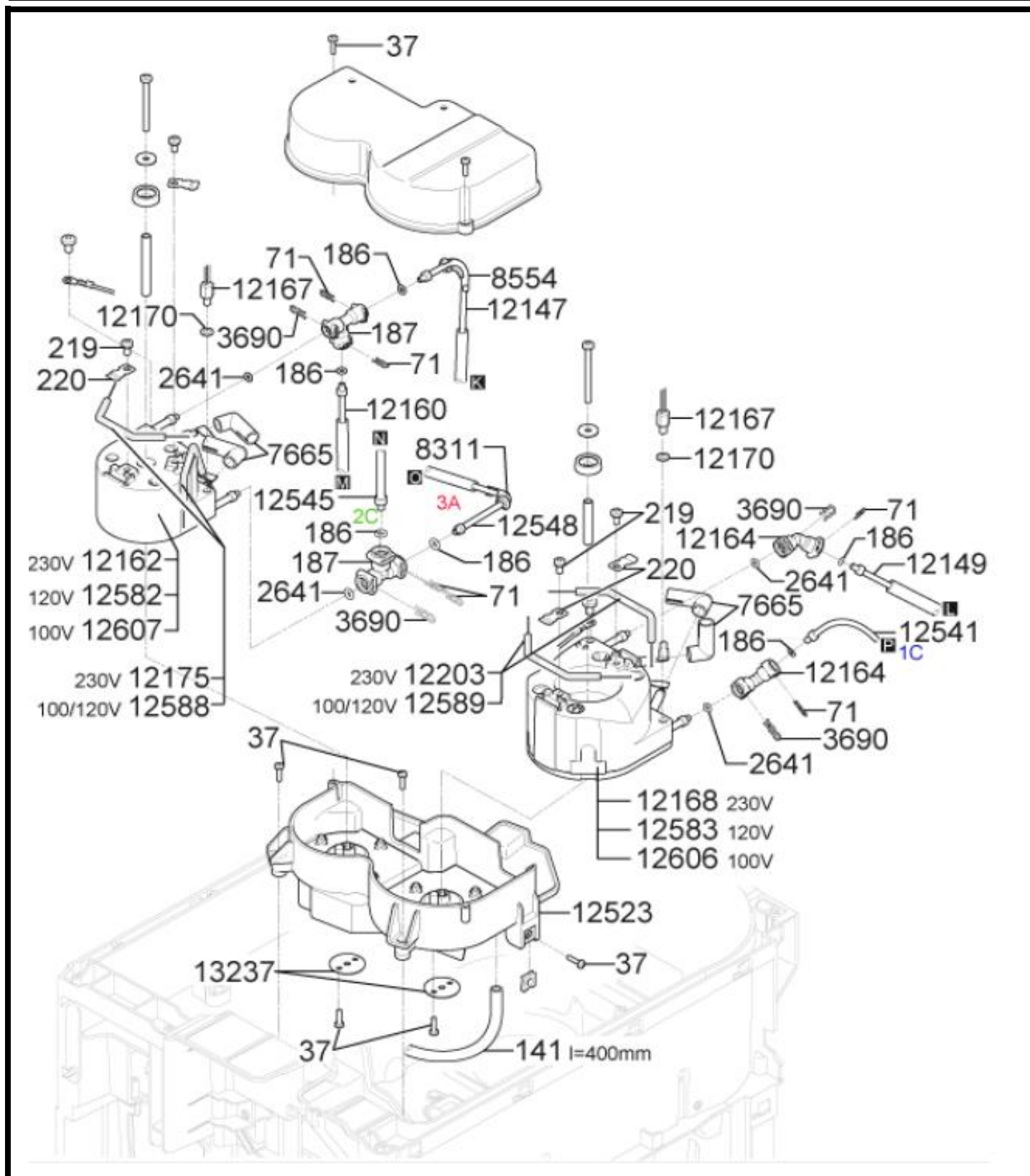




Kit for water connection with drip tray	
Pos. CSS:	12049
Art. No. SAP:	560.0000.277
Drip grid 651 stainless steel	
Pos. CSS:	12137
Art. No. SAP:	560.0000.359
Support 651 for drip tray	
Pos. CSS:	12139
Art. No. SAP:	560.0000.361
Pressure reducing valve G1/8"-G 1/4" P	
Pos. CSS:	12218
Art. No. SAP:	560.0000.431
Drip tray 651 cpl direct outflow	
Pos. CSS:	12250
Art. No. SAP:	560.0000.454
Valve 651 for drip tray	
Pos. CSS:	12257
Art. No. SAP:	560.0000.458
Hose clamp 9.8-10.4 V2	
Pos. CSS:	13288
Art. No. SAP:	560.0000.937
Metal braided hose 3/8-3/8" FF90°	
Pos. CSS:	294
Art. No. SAP:	560.0003.679
Flat gasket 10x15x1.6 PTFE	
Pos. CSS:	293
Art. No. SAP:	560.0003.681
Drain hose Ø20/14,5x2000	
Pos. CSS:	586
Art. No. SAP:	560.0003.712
Hose clamp 19.5-21	
Pos. CSS:	8724
Art. No. SAP:	560.0003.947
2/2 direct. control valve EVI 3/8"-3/8"	
Pos. CSS:	8736
Art. No. SAP:	560.0003.955
Barbed fitting	
Pos. CSS:	8739
Art. No. SAP:	560.0003.958

O-ring 11x2 MVQ	
Pos. CSS:	8743
Art. No. SAP:	560.0003.959
Check valve	
Pos. CSS:	8745
Art. No. SAP:	560.0003.960
Replacement valve insert for drip tray	
Pos. CSS:	8836
Art. No. SAP:	560.0004.053
Clamp 647 stainless steel	
Pos. CSS:	8718
Art. No. SAP:	560.0004.126
Temperature controller P89	
Pos. CSS:	8730
Art. No. SAP:	560.0004.127
Nipple 647 outside	
Pos. CSS:	8740
Art. No. SAP:	560.0004.134
Nipple 647 inside	
Pos. CSS:	8741
Art. No. SAP:	560.0004.135
Directional valve ceramic MKV6	
Pos. CSS:	9220
Art. No. SAP:	560.0004.181
Spring finger 790	
Pos. CSS:	24
Art. No. SAP:	560.0004.245
Pan head PT screw, K30x12	
Pos. CSS:	37
Art. No. SAP:	560.0004.253
Hose Ø9/5 MVQ	
Pos. CSS:	3509
Art. No. SAP:	560.0004.579
Hop filter 3/8" 10 mm	
Pos. CSS:	295
Art. No. SAP:	560.0004.828
Drainage funnel assembled	
Pos. CSS:	6848
Art. No. SAP:	560.0008.735

# A200 THERMOBLOK



Hose  $\varnothing 4.0/2.50 \times 620$  FEP

Pos. CSS: 12147  
Art. No. SAP: 560.0000.367

Hose  $\varnothing 4.0/2.50 \times 440$  FEP

Pos. CSS: 12149  
Art. No. SAP: 560.0000.369

Hose  $\varnothing 4.0/2.50 \times 270$  FEP

Pos. CSS: 12160  
Art. No. SAP: 560.0000.380

Base plate 427 galvanized

Pos. CSS: 13237  
Art. No. SAP: 560.0000.904

Elbow slotted

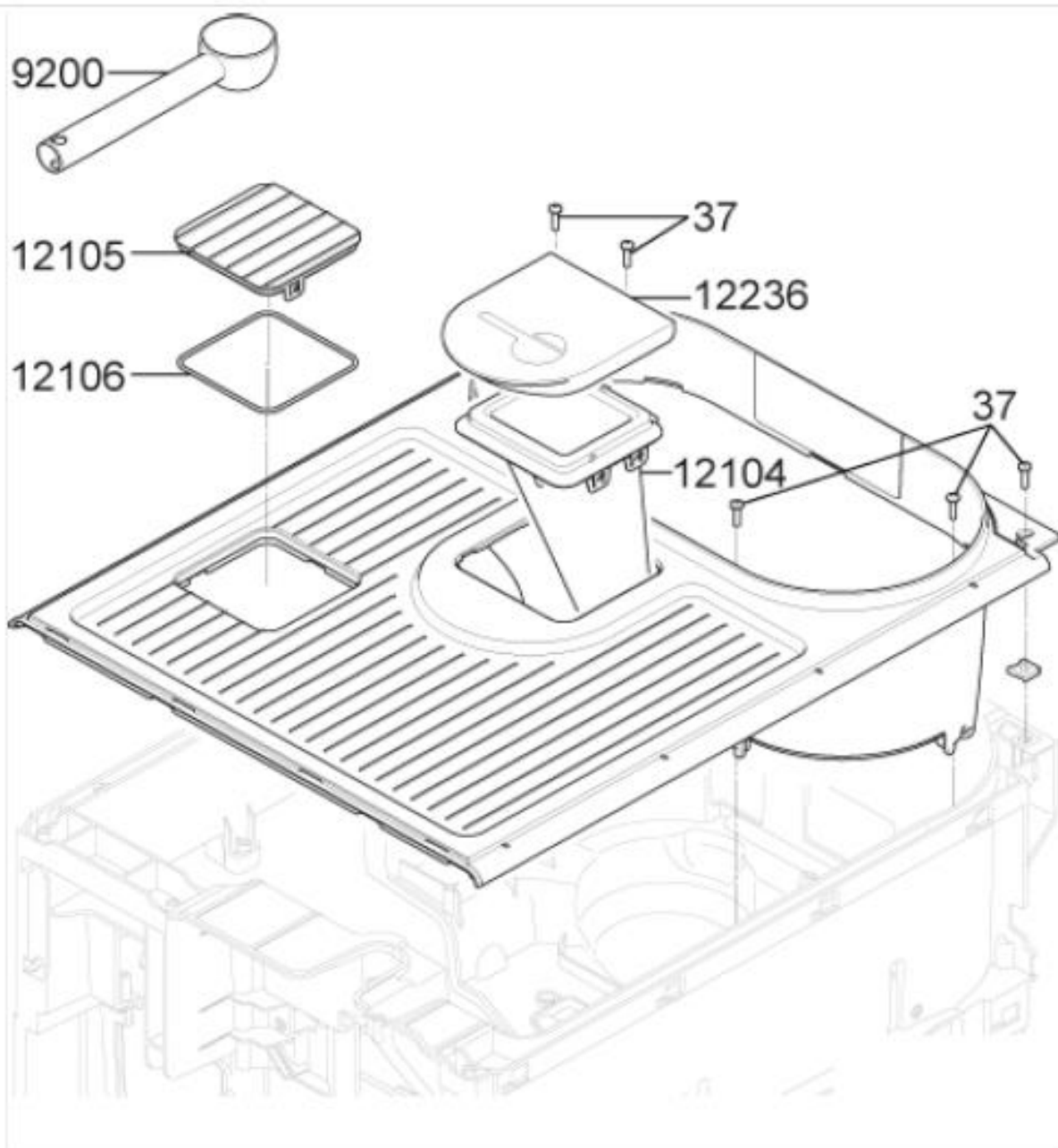
Pos. CSS: 7665  
Art. No. SAP: 560.0003.427

Anti-kink protection  $90^\circ \varnothing 4$

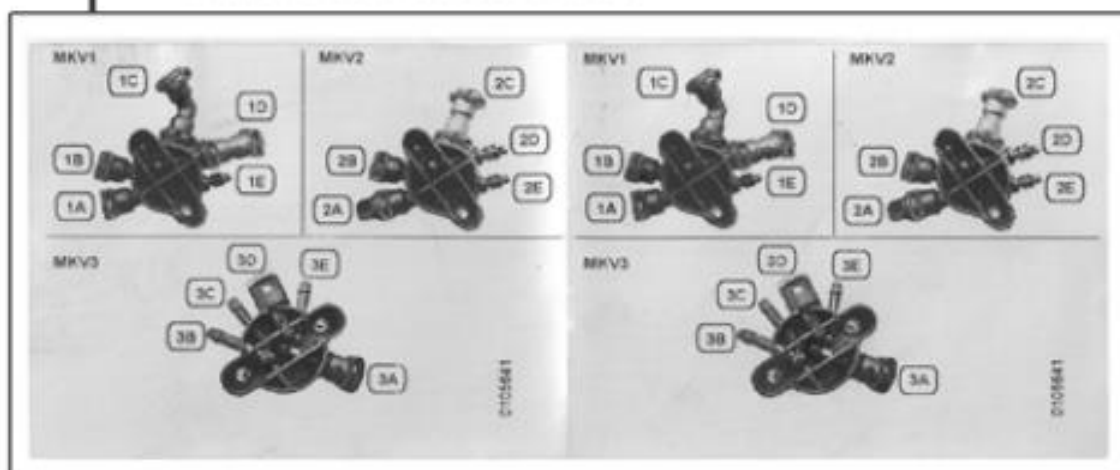
Pos. CSS: 8311  
Art. No. SAP: 560.0003.854

Elbow fitting 125° V2		Anti-kink protection 120° Ø4	
Pos. CSS:	12164	Pos. CSS:	8554
Art. No. SAP:	560.0000.384	Art. No. SAP:	560.0003.901
Temperature sensor for thermoblock		Pan head PT screw, K30x12	
Pos. CSS:	12167	Pos. CSS:	37
Art. No. SAP:	560.0000.387	Art. No. SAP:	560.0004.253
TB2001/L 230 V/1200 W V2		Clamp for pressure hose 770	
Pos. CSS:	12168	Pos. CSS:	71
Art. No. SAP:	560.0000.388	Art. No. SAP:	560.0004.278
Spring washer for temperature sensor		O-ring 3.4x1.9 MVQ	
Pos. CSS:	12170	Pos. CSS:	186
Art. No. SAP:	560.0000.389	Art. No. SAP:	560.0004.342
Thermal fuses thermoblock 1400 W		Sensor housing black	
Pos. CSS:	12175	Pos. CSS:	187
Art. No. SAP:	560.0000.392	Art. No. SAP:	560.0004.343
Triple connector 651		Screw GF/Tapt. M4.0x8 galvanized, blue	
Pos. CSS:	12203	Pos. CSS:	219
Art. No. SAP:	560.0000.418	Art. No. SAP:	560.0004.359
Holder 651 for thermoblock 2001/2003 V2		Safety fastener TB2001	
Pos. CSS:	12523	Pos. CSS:	220
Art. No. SAP:	560.0000.692	Art. No. SAP:	560.0004.360
Replacement hose 651 1C		Clamp Ø5 bronzed	
Pos. CSS:	12541	Pos. CSS:	3690
Art. No. SAP:	560.0000.704	Art. No. SAP:	560.0004.607
Replacement hose 651 2C		O-ring 3.4x1.9 FKM	
Pos. CSS:	12545	Pos. CSS:	2641
Art. No. SAP:	560.0000.708	Art. No. SAP:	560.0004.669
Replacement hose 651 3A		Hose Ø10/1.5 MVQ	
Pos. CSS:	12548	Pos. CSS:	141
Art. No. SAP:	560.0000.711	Art. No. SAP:	560.0008.476
TB2003/L 120 V/1400 W V3		TB2001/L 100 V/1200 W V3	
Pos. CSS:	12582	Pos. CSS:	12606
Art. No. SAP:	560.0000.744	Art. No. SAP:	560.0484.546

# A200 ÜST KAPAK



12616 **Klebefolie Anschlüsse MKV**  
**Adhesive label MKV connections**  
**Film adhésif raccords MKV**



Powder chute 651 black  
Pos. CSS: 12104  
Art. No. SAP: 560.0000.328

---

Cover 651 for brewing unit  
Pos. CSS: 12105  
Art. No. SAP: 560.0000.329

---

O-ring 072.00x2.15 MVQ/2-K  
Pos. CSS: 12106  
Art. No. SAP: 560.0000.330

---

Powder chute flap 651  
Pos. CSS: 12236  
Art. No. SAP: 560.0000.442

Brass spoon, semi-spherical shape  
Pos. CSS: 9200  
Art. No. SAP: 560.0004.175

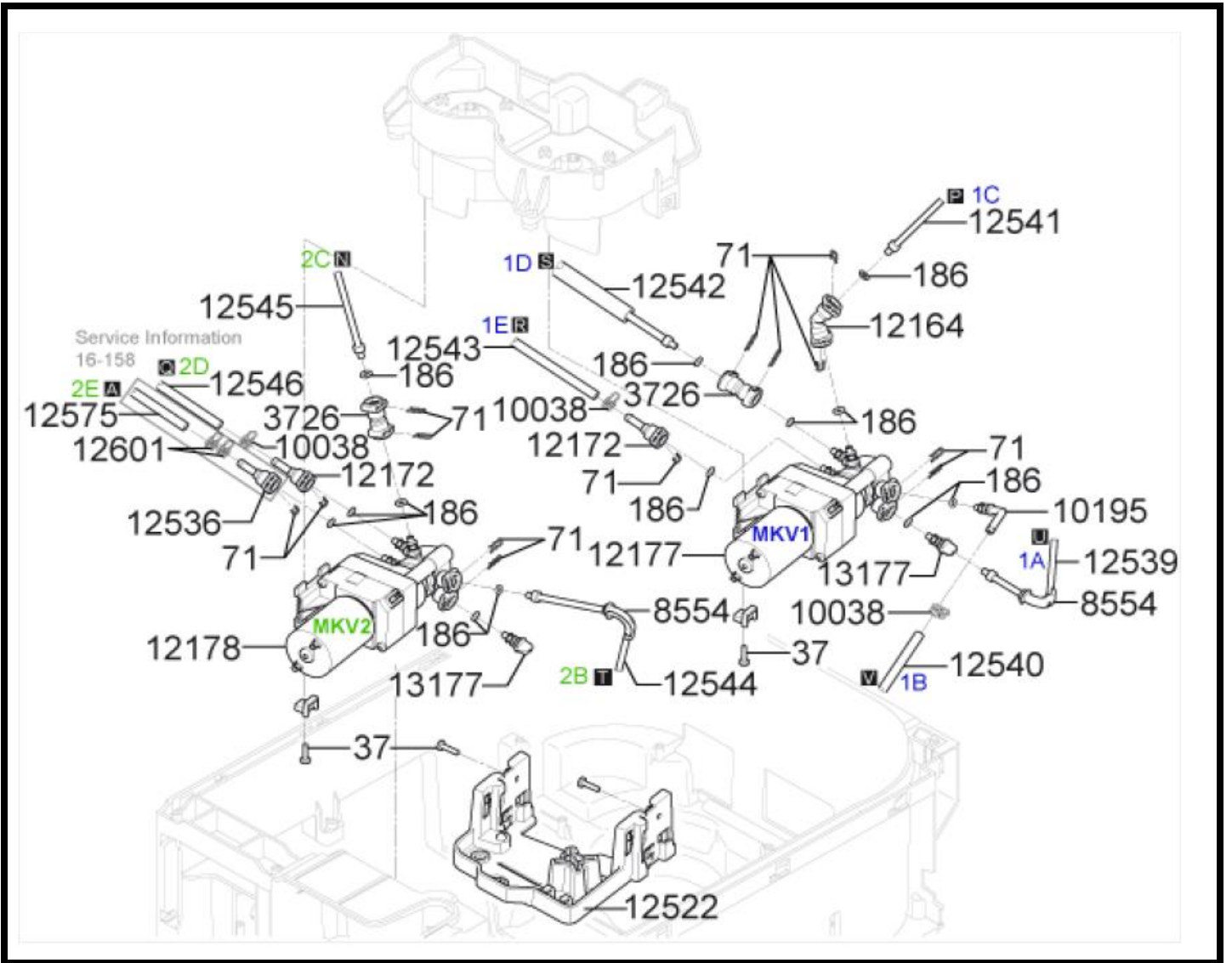
---

Pan head PT screw, K30x12  
Pos. CSS: 37  
Art. No. SAP: 560.0004.253

---

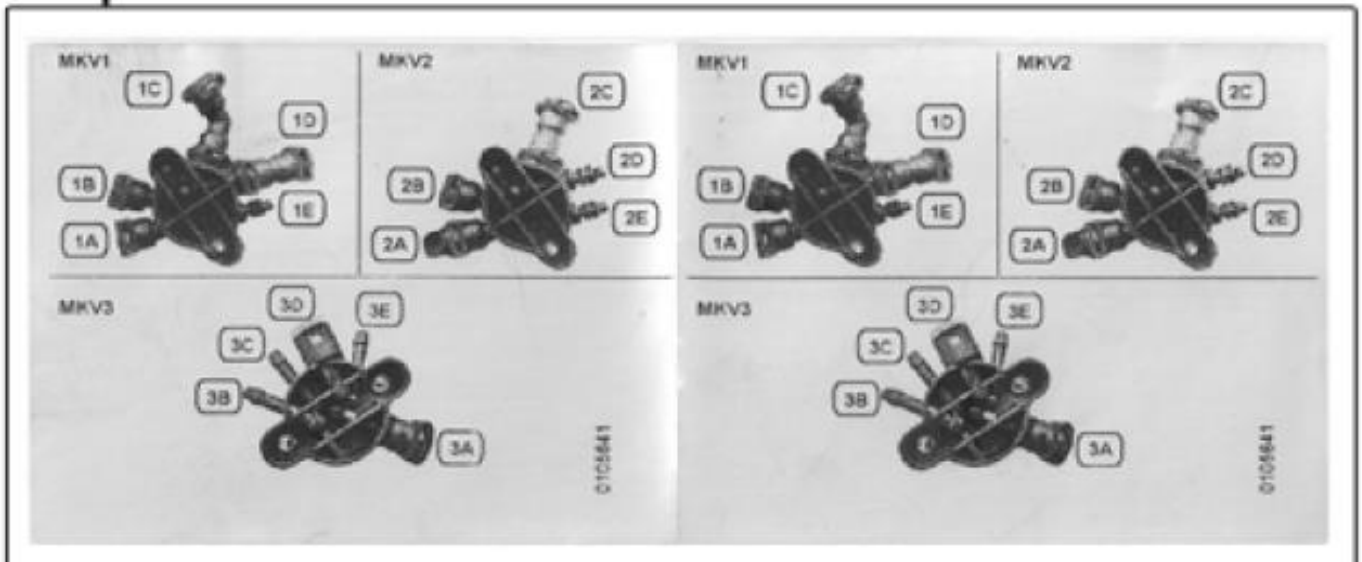
Adhesive label MKV  
Pos. CSS: 12616  
Art. No. SAP: 560.0484.551

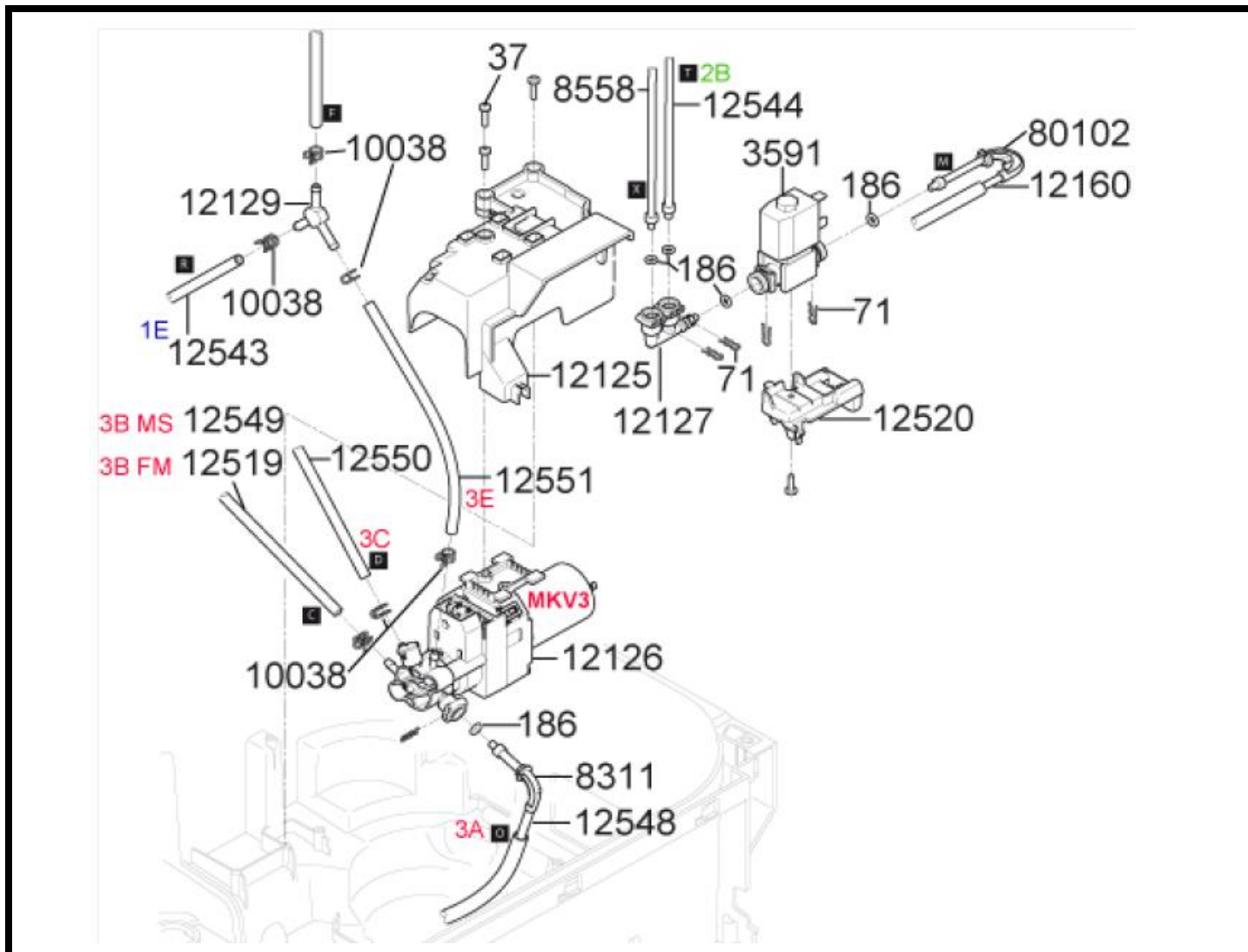
# A200 THERMOBLOK



## Klebefolie Anschlüsse MKV

12616 Adhesive label MKV connections  
Film adhésif raccords MKV





Holder 651 for multi-way valve V3

Pos. CSS:	12125
Art. No. SAP:	560.0000.348

Directional valve ceramic MKV3

Pos. CSS:	12126
Art. No. SAP:	560.0000.349

F-shaped fitting, 90° V3

Pos. CSS:	12127
Art. No. SAP:	560.0000.350

Nipple 705 Y fitting

Pos. CSS:	12129
Art. No. SAP:	560.0000.351

Hose Ø4.0/2.50x270 FEP

Pos. CSS:	12160
Art. No. SAP:	560.0000.380

Elbow fitting 125° V2

Pos. CSS:	12164
Art. No. SAP:	560.0000.384

I-shaped fitting

Pos. CSS:	12172
Art. No. SAP:	560.0000.390

Directional valve ceramic MKV1

Pos. CSS:	12177
-----------	-------

Replacement hose 651 2D

Pos. CSS:	12546
Art. No. SAP:	560.0000.709

Replacement hose 651 3A

Pos. CSS:	
Art. No. SAP:	

Replacement hose 651 3B

Pos. CSS:	12548
Art. No. SAP:	560.0000.711

Replacement hose 651 3C

Pos. CSS:	12550
Art. No. SAP:	560.0000.713

Replacement hose 651 3E

Pos. CSS:	12551
Art. No. SAP:	560.0000.714

Replacement tube 651 2E US

Pos. CSS:	12575
Art. No. SAP:	560.0000.737

Hose clamp 5.7-6.5

Pos. CSS:	12601
Art. No. SAP:	560.0000.763

Fluid fitting 014, black

Pos. CSS:	13177
-----------	-------



Art. No. SAP:	560.0000.393
Directional valve ceramic MKV2	
Pos. CSS:	12178
Art. No. SAP:	560.0000.394
Hose Ø06.5x3.0x285	
Pos. CSS:	12519
Art. No. SAP:	560.0000.688
Holder 651 for solenoid valve	
Pos. CSS:	12520
Art. No. SAP:	560.0000.689
Holder 651 for multi-way valve V2	
Pos. CSS:	12522
Art. No. SAP:	560.0000.691
Fluid nipple single	
Pos. CSS:	12536
Art. No. SAP:	560.0000.699
Replacement hose 651 1A	
Pos. CSS:	12539
Art. No. SAP:	560.0000.702
Replacement hose 651 1B	
Pos. CSS:	12540
Art. No. SAP:	560.0000.703
Replacement hose 651 1C	
Pos. CSS:	12541
Art. No. SAP:	560.0000.704
Replacement hose 651 1D	
Pos. CSS:	12542
Art. No. SAP:	560.0000.705
Replacement hose 651 1E	
Pos. CSS:	12543
Art. No. SAP:	560.0000.706
Replacement hose 651 2B	
Pos. CSS:	12544
Art. No. SAP:	560.0000.707
Replacement hose 651 2C	
Pos. CSS:	12545
Art. No. SAP:	560.0000.708

Art. No. SAP:	560.0000.850
Anti-kink protection 90° Ø4	
Pos. CSS:	8311
Art. No. SAP:	560.0003.854
Anti-kink protection 120° Ø4	
Pos. CSS:	8554
Art. No. SAP:	560.0003.901
Hose Ø4/2.5x300	
Pos. CSS:	8558
Art. No. SAP:	560.0003.902
Anti-kink protection 180° Ø4	
Pos. CSS:	80102
Art. No. SAP:	560.0004.227
Pan head PT screw, K30x12	
Pos. CSS:	37
Art. No. SAP:	560.0004.253
Clamp for pressure hose 770	
Pos. CSS:	71
Art. No. SAP:	560.0004.278
O-ring 3.4x1.9 MVQ	
Pos. CSS:	186
Art. No. SAP:	560.0004.342
I-shaped fitting	
Pos. CSS:	3726
Art. No. SAP:	560.0004.470
Solenoid valve 24V DC2/2 12bar	
Pos. CSS:	3591
Art. No. SAP:	560.0004.583
Hose clamp 7.0-7.5 V2	
Pos. CSS:	10038
Art. No. SAP:	560.0004.697
90° L-shaped fluid nipple 660	
Pos. CSS:	10195
Art. No. SAP:	560.0004.769
Adhesive label MKV	
Pos. CSS:	12616
Art. No. SAP:	560.0484.551