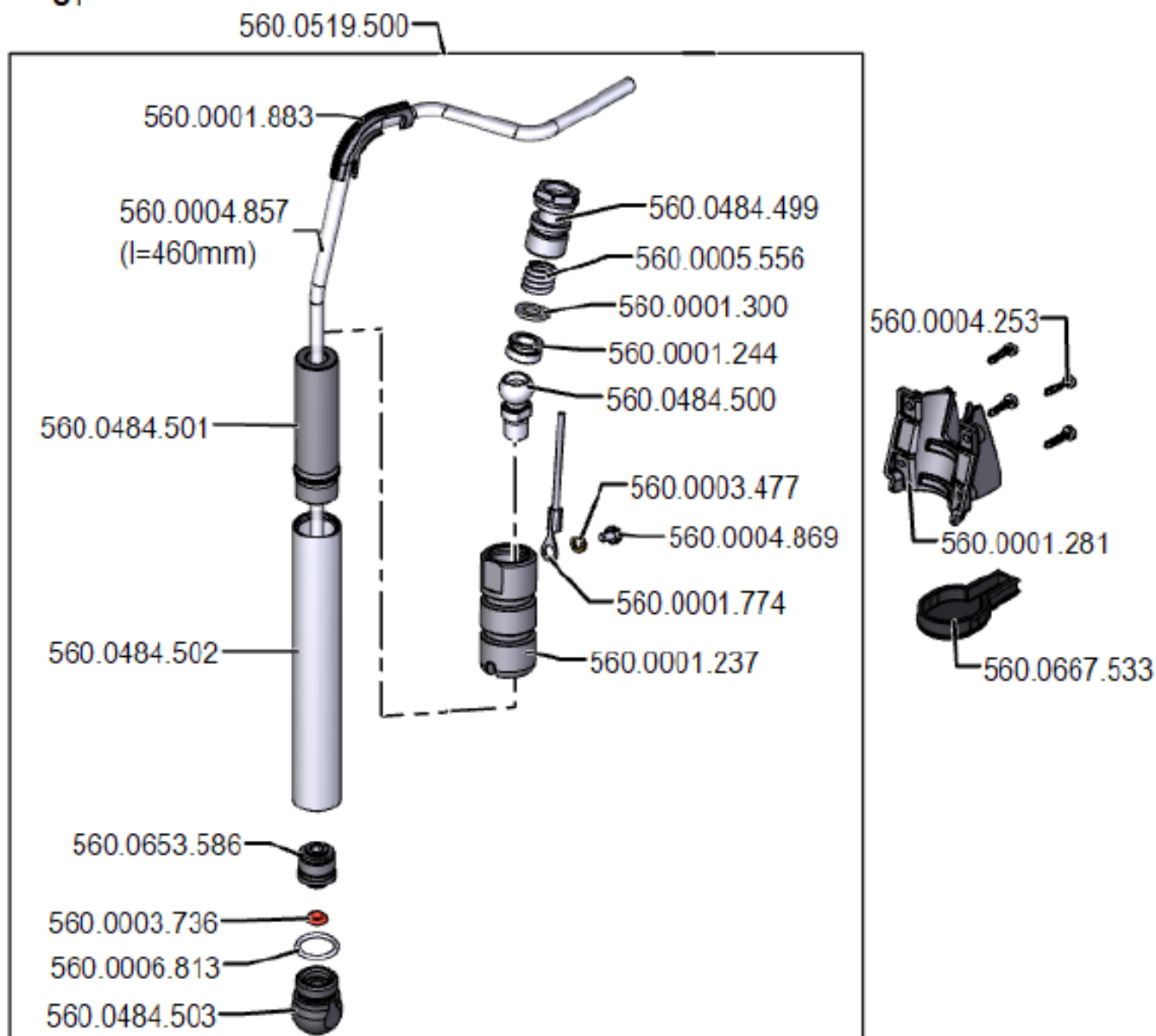
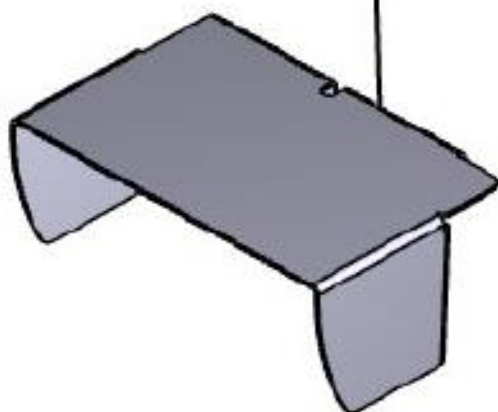


A400 BUHAR ÇUBUĞU

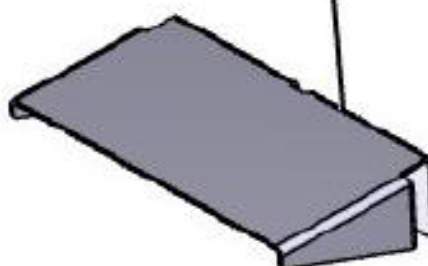
S1



560.0574.078
(single-piece drip tray)



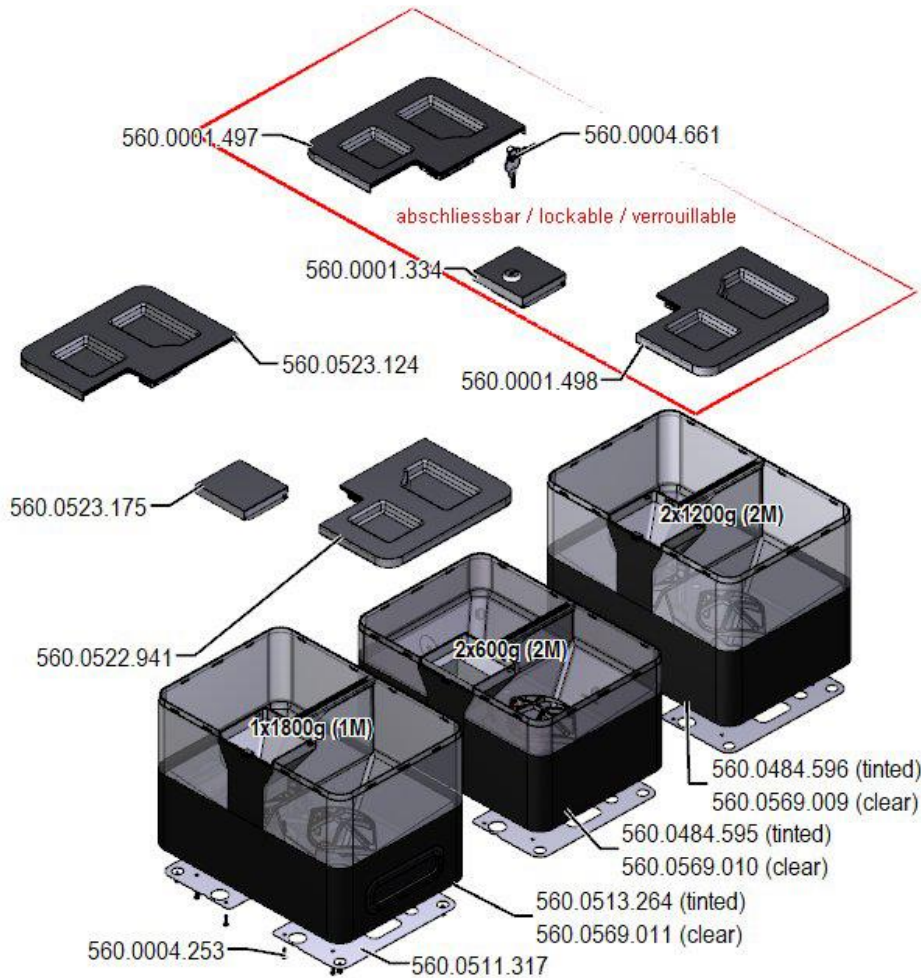
560.0484.609
(two-piece drip tray)



Injector outer part	
Pos. CSS:	14215
Art. No. SAP:	560.0001.237
Ball socket	
Pos. CSS:	14224
Art. No. SAP:	560.0001.244
Steam wand mounting bracket	
Pos. CSS:	14274
Art. No. SAP:	560.0001.281
Washer \varnothing 7.4/14x1.6 1.4301	
Pos. CSS:	14297
Art. No. SAP:	560.0001.300
Ground conductor for steam wand	
Pos. CSS:	14908
Art. No. SAP:	560.0001.774
Anti-kink protection 90° \varnothing 6	
Pos. CSS:	16057
Art. No. SAP:	560.0001.883
Washer \varnothing 4.2x7x1.2 MS	
Pos. CSS:	7693
Art. No. SAP:	560.0003.477
O-ring 3x3 VMQ	
Pos. CSS:	1510
Art. No. SAP:	560.0003.736
Pan head PT screw, K30x12	
Pos. CSS:	37
Art. No. SAP:	560.0004.253
Hose \varnothing 6/4 PFA	
Pos. CSS:	140
Art. No. SAP:	560.0004.857
Thread-rolling screw M4x6	
Pos. CSS:	104
Art. No. SAP:	560.0004.869
Spring	
Pos. CSS:	5298
Art. No. SAP:	560.0005.556

O-ring 14x1.78 EPDM	
Pos. CSS:	378674
Art. No. SAP:	560.0006.813
Injector sleeve	
Pos. CSS:	16207
Art. No. SAP:	560.0484.499
Ball joint	
Pos. CSS:	16208
Art. No. SAP:	560.0484.500
Steam wand grip	
Pos. CSS:	16209
Art. No. SAP:	560.0484.501
Steam pipe	
Pos. CSS:	16210
Art. No. SAP:	560.0484.502
Steam nozzle	
Pos. CSS:	16211
Art. No. SAP:	560.0484.503
Drip grid extension two-piece	
Pos. CSS:	16236
Art. No. SAP:	560.0484.609
Steam wand S1 A400	
Pos. CSS:	15000679
Art. No. SAP:	560.0519.500
Drip grid extension single-piece	
Pos. CSS:	560.0574.078
Art. No. SAP:	560.0574.078
Sealing sleeve w/ push-fit cart.	
Pos. CSS:	
Art. No. SAP:	560.0653.586
Cover steam wand	
Pos. CSS:	
Art. No. SAP:	560.0667.533

A400 - ÇEKİRDEK HAZNESİ



Insertion flap lockable

Pos. CSS:	14365
Art. No. SAP:	560.0001.334

Lid LH lockable

Pos. CSS:	14553
Art. No. SAP:	560.0001.497

Lid RH lockable

Pos. CSS:	14554
Art. No. SAP:	560.0001.498

Pan head PT screw, K30x12

Pos. CSS:	37
Art. No. SAP:	560.0004.253

Key for lock 1P315206

Pos. CSS:	2632
Art. No. SAP:	560.0004.661

Bean hopper assembly 2x600g tinted

Pos. CSS:	16190
Art. No. SAP:	560.0484.595

Bean hopper assembly 2x1200g tinted

Pos. CSS:	16194
Art. No. SAP:	560.0484.596

Bean hopper assembly 1x1800g tinted

Pos. CSS:	15000384
Art. No. SAP:	560.0513.264

Insertion flap

Pos. CSS:	560.0523.175
Art. No. SAP:	560.0523.175

Lid LH

Pos. CSS:	560.0523.124
Art. No. SAP:	560.0523.124

Lid RH

Pos. CSS:	560.0522.941
Art. No. SAP:	560.0522.941

Bottom panel

Pos. CSS:	560.0511.317
Art. No. SAP:	560.0511.317

Bean hopper assembly 2x600g clear

Pos. CSS:	560.0569.010
Art. No. SAP:	560.0569.010

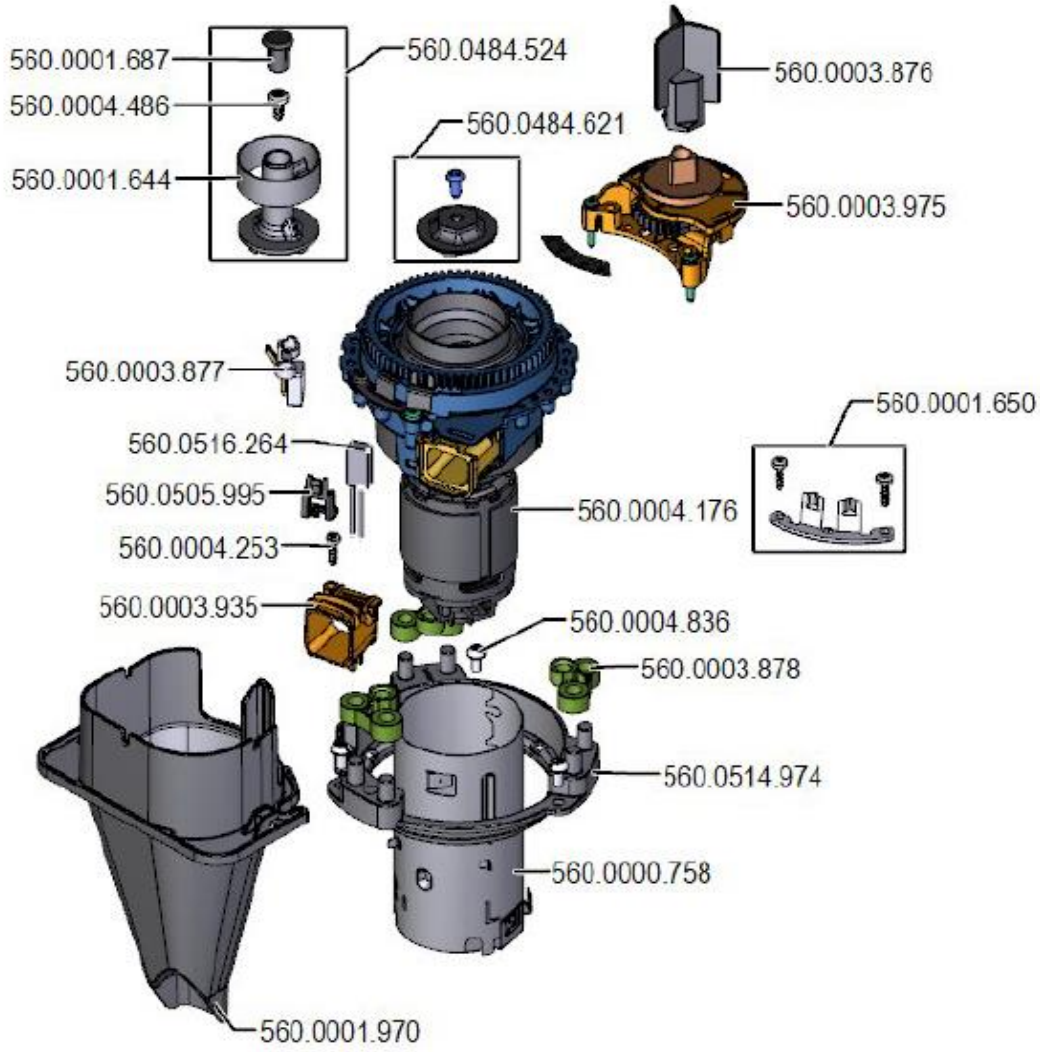
Bean hopper assembly 2x1200g clear

Pos. CSS:	560.0569.009
Art. No. SAP:	560.0569.009

Bean hopper assembly 1x1800g clear

Pos. CSS:	560.0569.011
Art. No. SAP:	560.0569.011

A400 DEĞİRMEN



Pos. CSS: 12596
Art. No. SAP: 560.0000.758

Driver for grinder
Pos. CSS: 14714
Art. No. SAP: 560.0001.644

Kit for grinder grating, welded
Pos. CSS: 14724
Art. No. SAP: 560.0001.650

Stopper for driver
Pos. CSS: 14812
Art. No. SAP: 560.0001.687

Ground coffee chute 2
Pos. CSS: 16145
Art. No. SAP: 560.0001.970

Grinder adjustment wrench
Pos. CSS: 8476
Art. No. SAP: 560.0003.876

Speed sensor
Pos. CSS: 8483
Art. No. SAP: 560.0003.877

Vibration damper for grinder
Pos. CSS: 8484
Art. No. SAP: 560.0003.878

Powder chute left-hand
Pos. CSS: 8486
Art. No. SAP: 560.0003.935

Grinder adjustment mechanism
Pos. CSS: 8819
Art. No. SAP: 560.0003.975

Grinder
Pos. CSS: 80003
Art. No. SAP: 560.0004.176

Pan head PT screw, K30x12
Pos. CSS: 37
Art. No. SAP: 560.0004.253

Conversion kit grinder driver removal
Pos. CSS: 16252
Art. No. SAP: 560.0484.621

Support
Pos. CSS: 560.0505.995
Art. No. SAP: 560.0505.995

Pan head PT screw, K40x10
Pos. CSS: 3715
Art. No. SAP: 560.0004.486

Thread-rolling screw M4x8
Pos. CSS: 255
Art. No. SAP: 560.0004.836

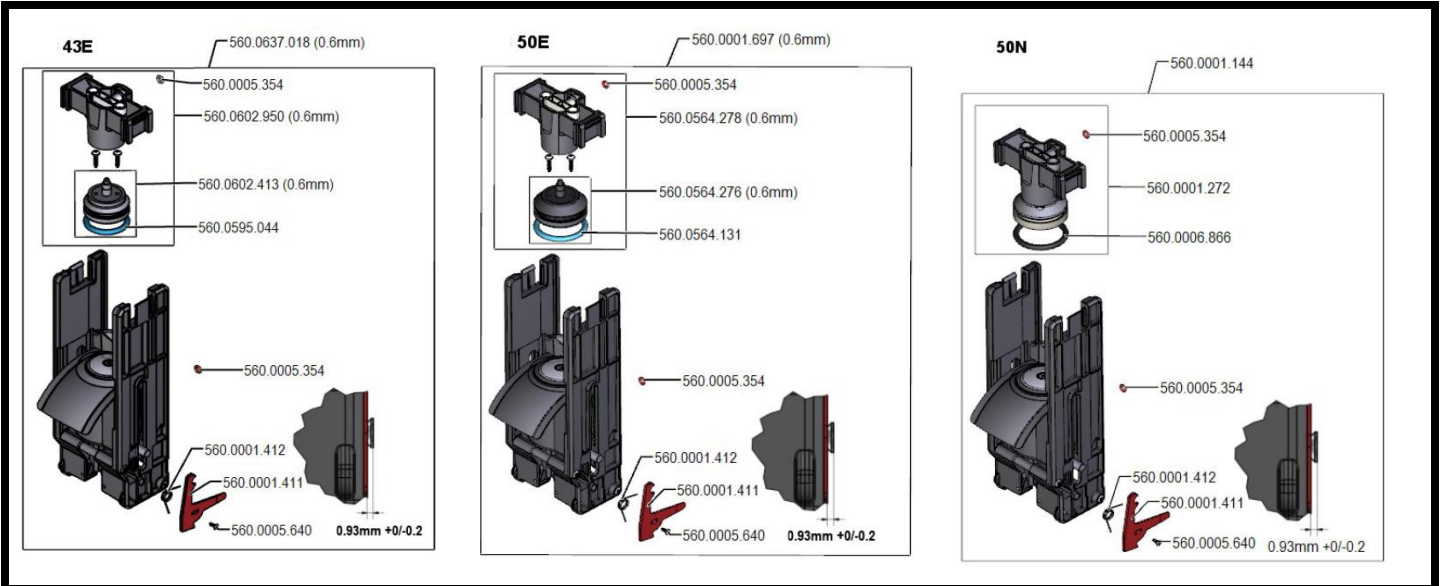
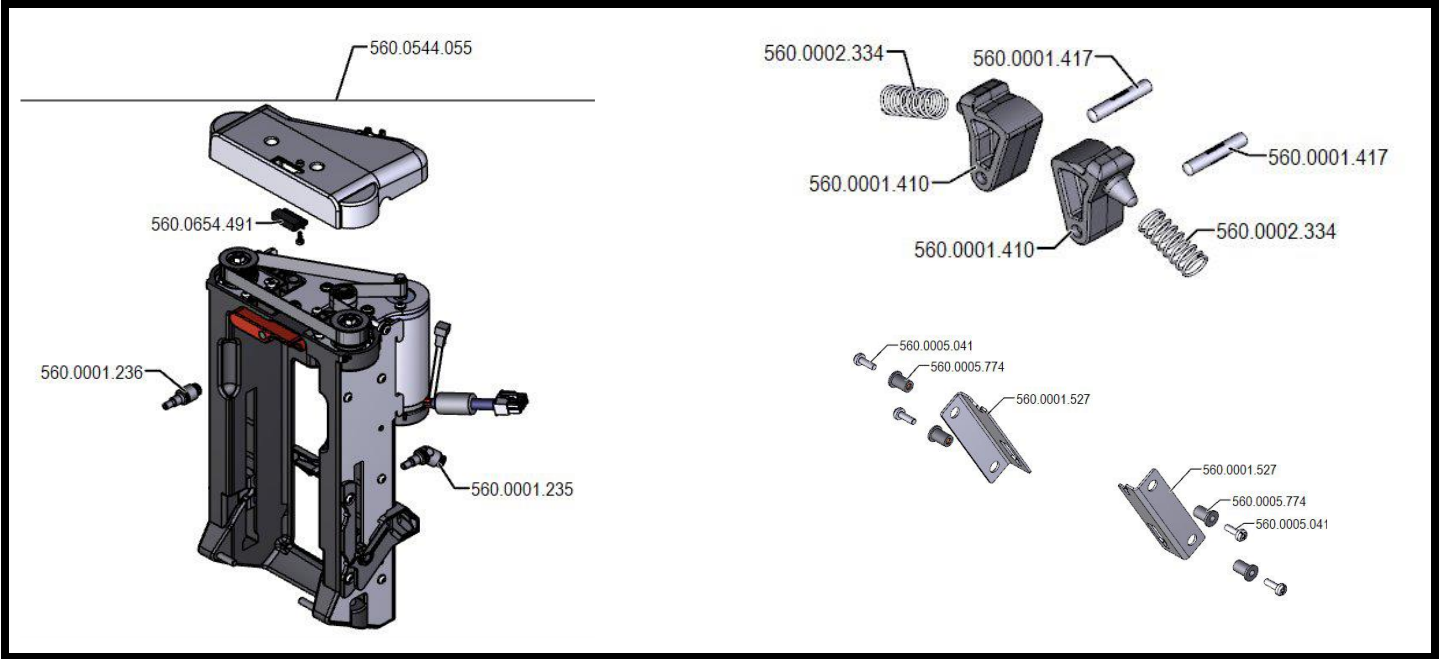
Driver for grinder
Pos. CSS: 16296
Art. No. SAP: 560.0484.524

Grinder base
Pos. CSS: 1S000478
Art. No. SAP: 560.0514.974

Thermal fuse cable for grinder
Pos. CSS: 1S000556
Art. No. SAP: 560.0516.264

Pos. CSS:
Art. No. SAP:

A400 DEMLEME ÜNİTESİ



Brewing module Ø50N

Pos. CSS:	14083
Art. No. SAP:	560.0001.144

Push-fit elbow union Ø4 PPSU

Pos. CSS:	14213
Art. No. SAP:	560.0001.235

Push-fit union Ø4 PPSU

Pos. CSS:	14214
Art. No. SAP:	560.0001.236

Brewing piston assy Ø50N

Pos. CSS:	14263
Art. No. SAP:	560.0001.272

Latch for brewing module

Pos. CSS:	560.0001.410
Art. No. SAP:	560.0001.410

Brewing chamber locking mechanism

Pos. CSS:	560.0001.411
Art. No. SAP:	560.0001.411

Center grooved pin Ø3x16 1.4305

Pos. CSS:	560.0001.417
Art. No. SAP:	560.0001.417

Brewing unit mounting bracket

Pos. CSS:	560.0001.527
Art. No. SAP:	560.0001.527

Brewing module Ø50E w/ orifice 0,6mm

Pos. CSS:	14824
Art. No. SAP:	560.0001.697

Spring for lock actuation cooling unit

Pos. CSS:	560.0002.334
Art. No. SAP:	560.0002.334

Thread-rolling screw M4x12

Pos. CSS:	6985
Art. No. SAP:	560.0005.041

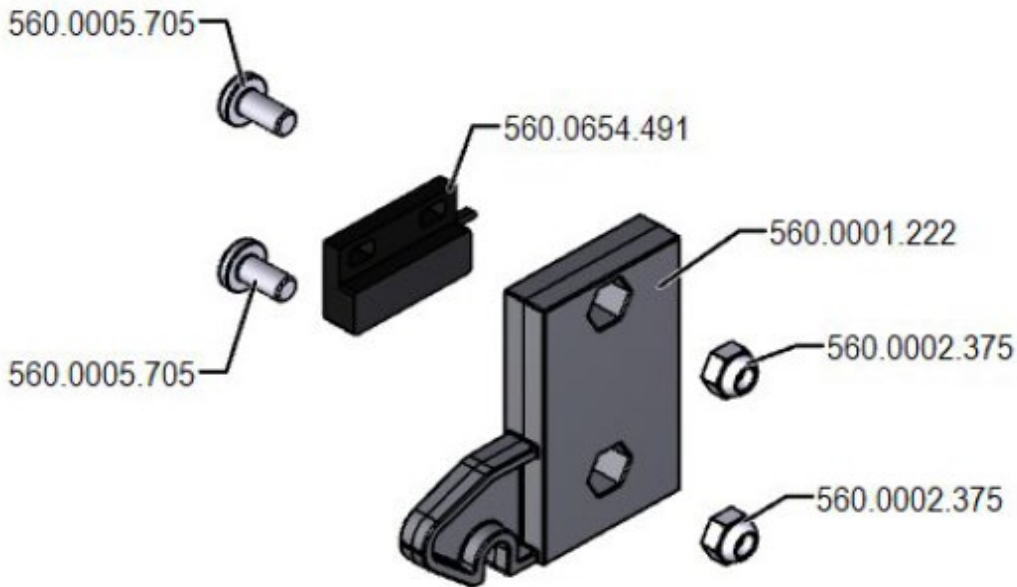
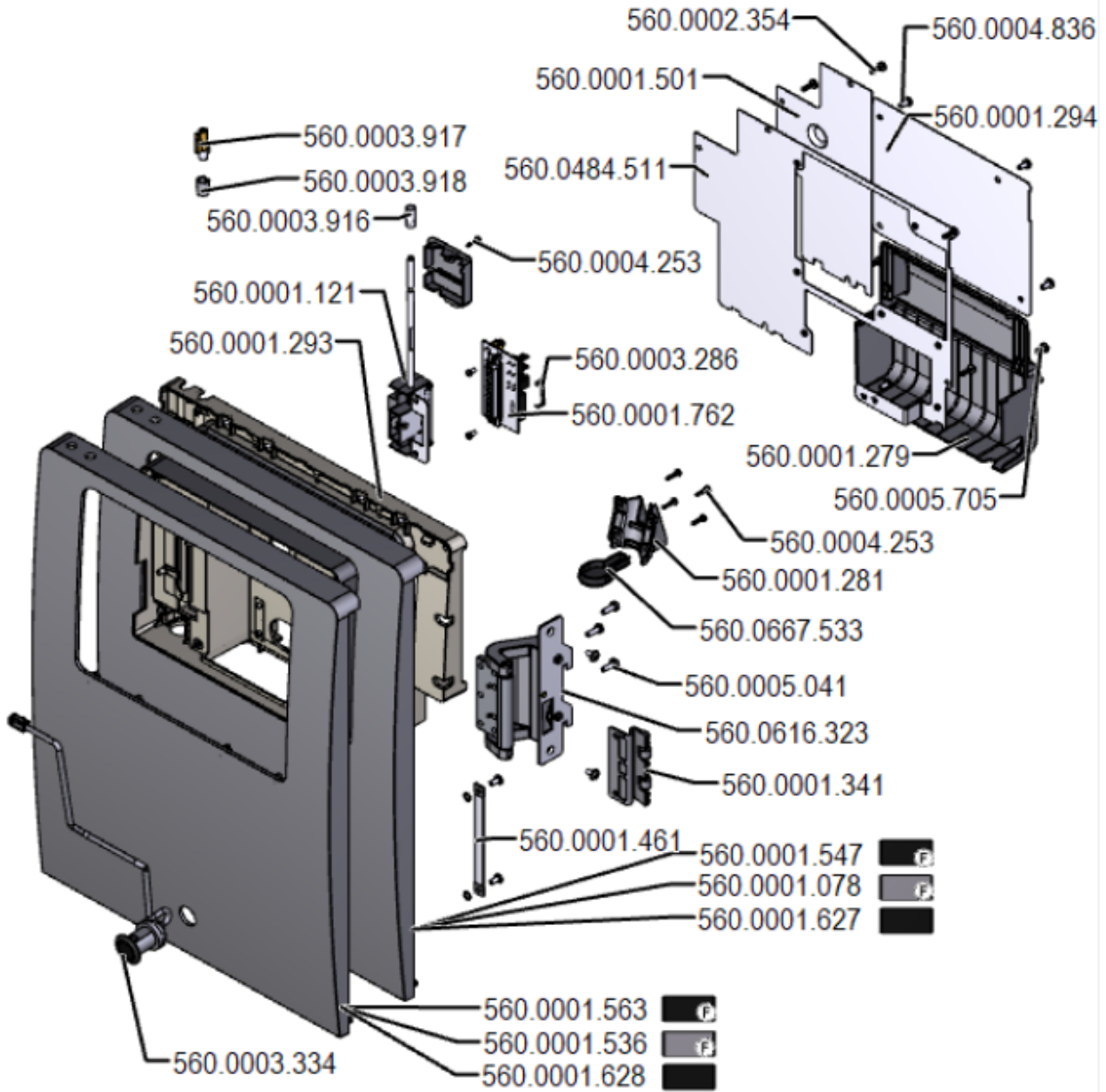
O-ring 4.48x1.78 VMQ

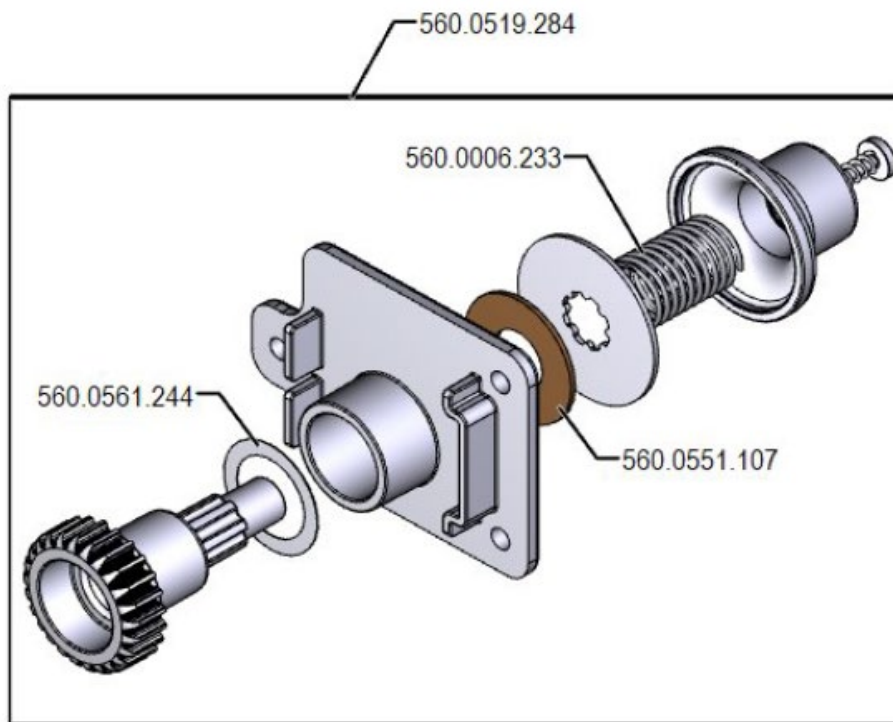
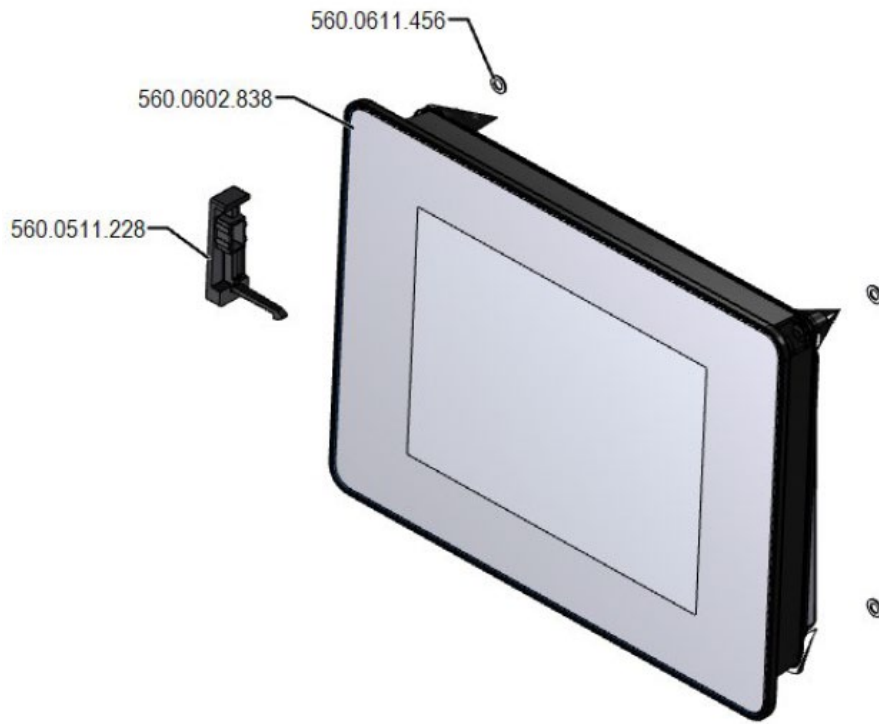
Pos. CSS:	5779
Art. No. SAP:	560.0005.354

Torsion spring	
Pos. CSS:	560.0001.412
Art. No. SAP:	560.0001.412
<hr/>	
Blind rivet nut M4 Ø11.1/7.9 11.4	
Pos. CSS:	2254
Art. No. SAP:	560.0005.774
<hr/>	
O-ring 40x5 EPDM	
Pos. CSS:	644706
Art. No. SAP:	560.0006.866
<hr/>	
Drive frame assembled with latch	
Pos. CSS:	560.0544.055
Art. No. SAP:	560.0544.055
<hr/>	
O-ring Ø38x5 FKM	
Pos. CSS:	560.0564.131
Art. No. SAP:	560.0564.131
<hr/>	
Brew. piston Ø50E orifice 0.6 assembled	
Pos. CSS:	560.0564.276
Art. No. SAP:	560.0564.276
<hr/>	
Brewing piston assembly Ø50E orifice 0.6	
Pos. CSS:	560.0564.278
Art. No. SAP:	560.0564.278
<hr/>	

PT Countersunk screw Phillips KA30x8	
Pos. CSS:	5183
Art. No. SAP:	560.0005.640
<hr/>	
O-ring 31x5 FKM	
Pos. CSS:	560.0595.044
Art. No. SAP:	560.0595.044
<hr/>	
Brew. piston Ø43E orifice 0.6 assembled	
Pos. CSS:	560.0602.413
Art. No. SAP:	560.0602.413
<hr/>	
Brewing piston assy Ø43E w/ orifice 0,6	
Pos. CSS:	560.0602.950
Art. No. SAP:	560.0602.950
<hr/>	
Brewing module Ø43 with orifice 0.6mm	
Pos. CSS:	560.0637.018
Art. No. SAP:	560.0637.018
<hr/>	
Reed sensor A line	
Pos. CSS:	560.0654.491
Art. No. SAP:	560.0654.491
<hr/>	

A400 EKRAN ve ÖN KAPAK





Front anthracite

Pos. CSS: 14004
 Art. No. SAP: 560.0001.078

Locking system

Pos. CSS: 14059
 Art. No. SAP: 560.0001.121

Lock hook

Pos. CSS: 14199
 Art. No. SAP: 560.0001.222

Top cover for front door, internal

Pos. CSS: 14271
 Art. No. SAP: 560.0001.279

Cup sensor

Pos. CSS: 7629
 Art. No. SAP: 560.0003.334

Unlocking pin for front door

Pos. CSS: 8102
 Art. No. SAP: 560.0003.916

Lock with key

Pos. CSS: 8111
 Art. No. SAP: 560.0003.917

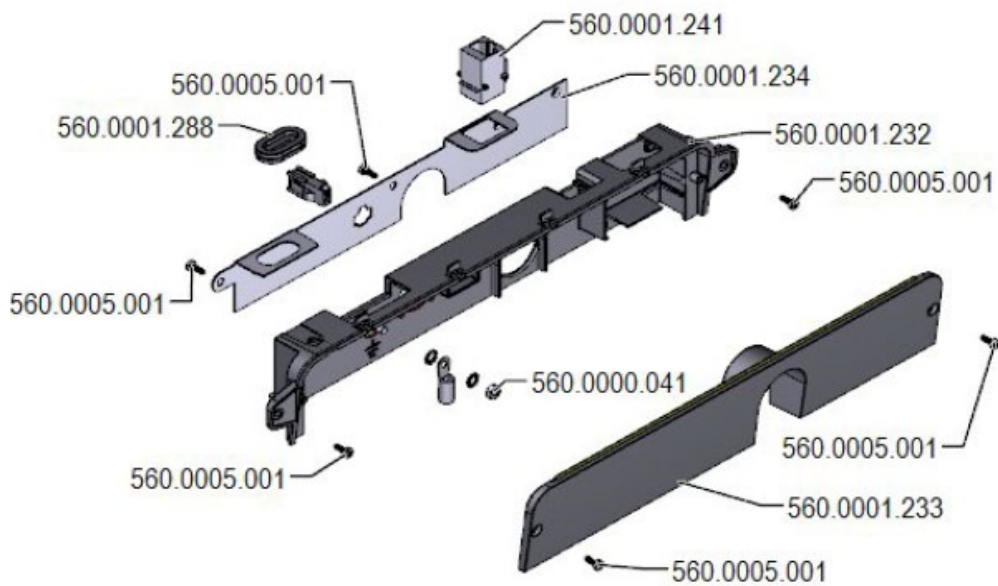
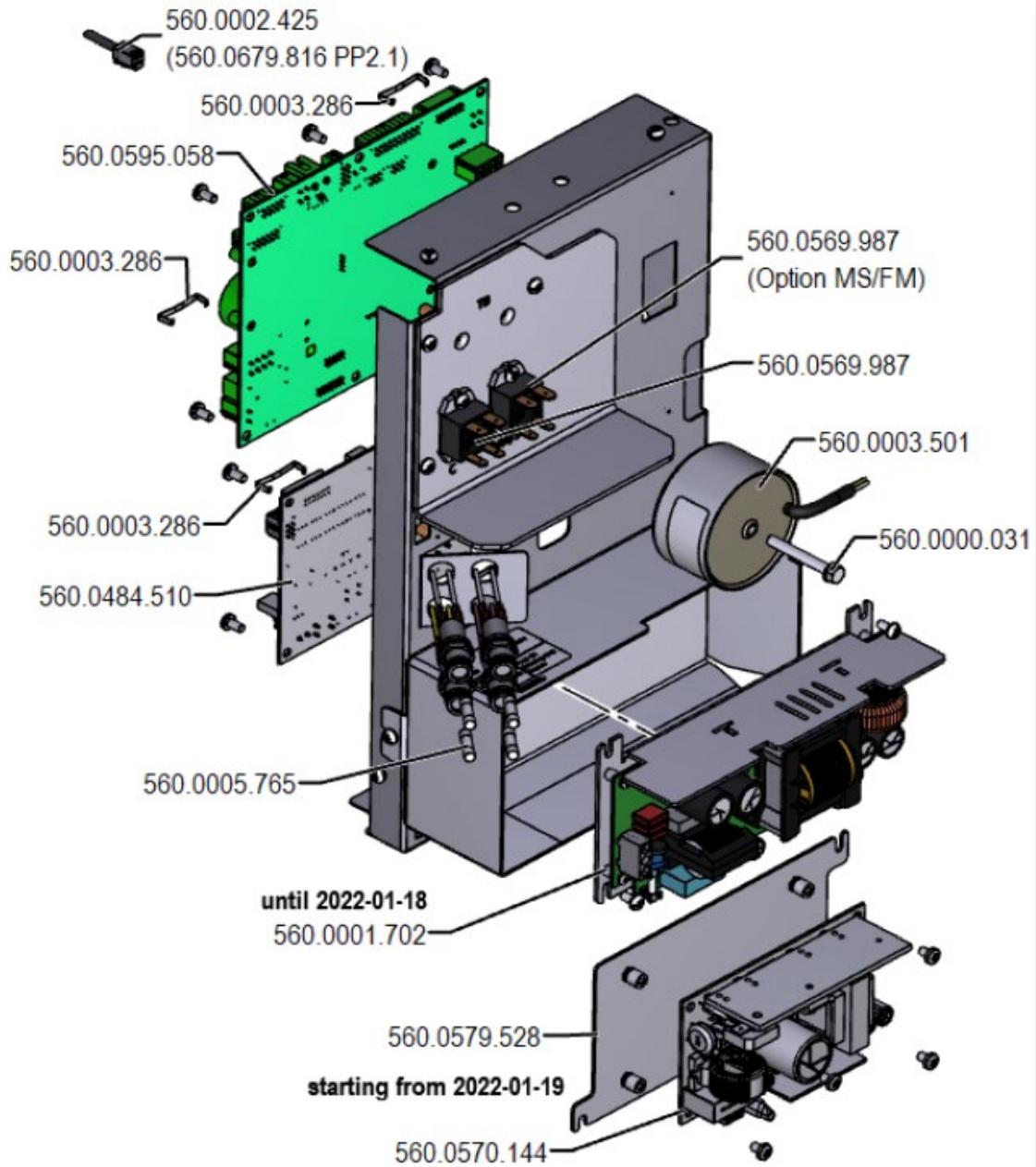
Sleeve for lock

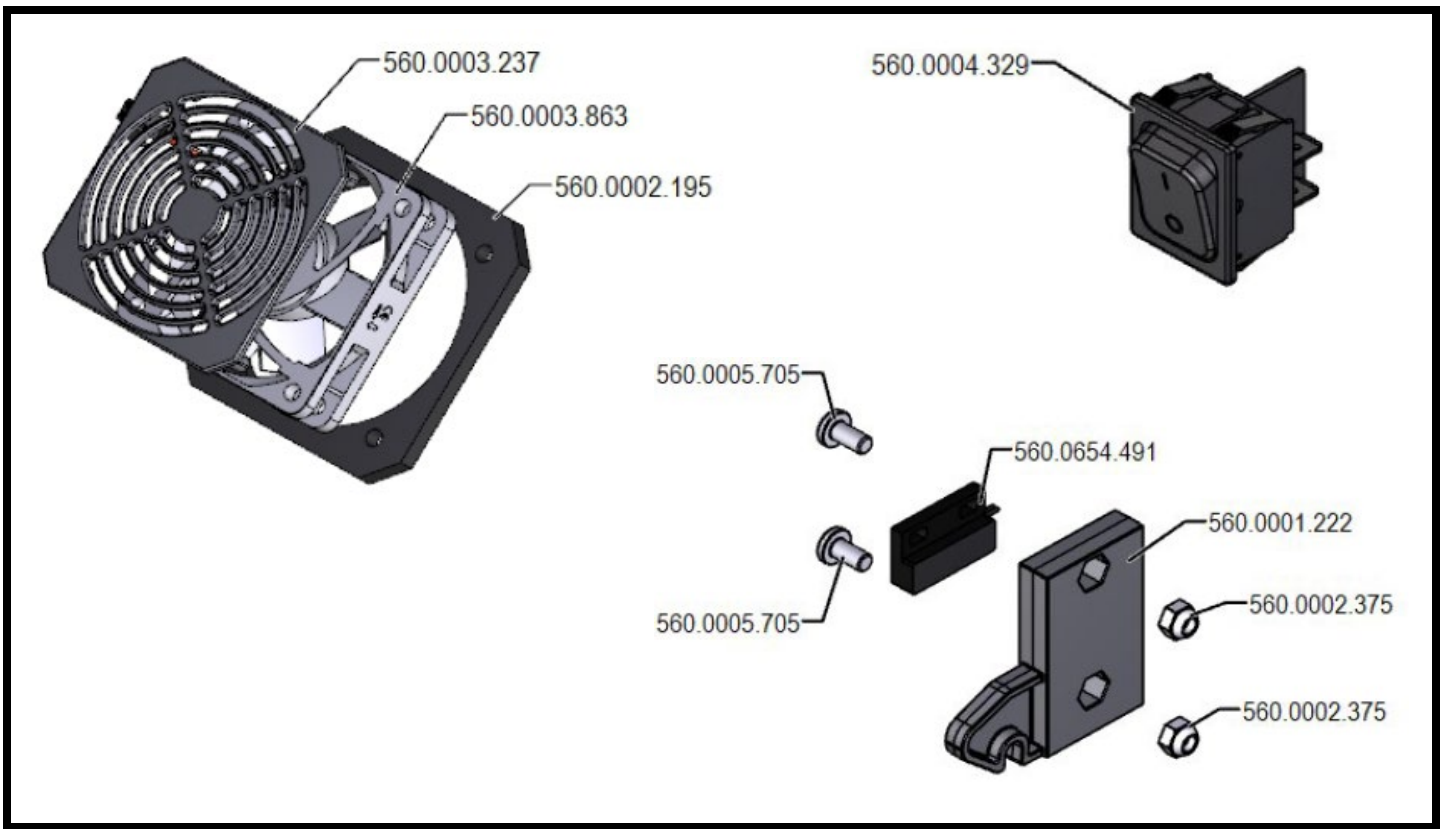
Pos. CSS: 8112
 Art. No. SAP: 560.0003.918

Steam wand mounting bracket	
Pos. CSS:	14274
Art. No. SAP:	560.0001.281
Display carrier housing	
Pos. CSS:	14289
Art. No. SAP:	560.0001.293
Cover plate for powder	
Pos. CSS:	14290
Art. No. SAP:	560.0001.294
Roller snapper	
Pos. CSS:	14373
Art. No. SAP:	560.0001.341
Ground strap 4 mm ² 100 mm M4	
Pos. CSS:	560.0001.461
Art. No. SAP:	560.0001.461
Protective plate	
Pos. CSS:	14557
Art. No. SAP:	560.0001.501
Front for cup sensor anthracite	
Pos. CSS:	14592
Art. No. SAP:	560.0001.536
Front black	
Pos. CSS:	14606
Art. No. SAP:	560.0001.547
Front for cup sensor black	
Pos. CSS:	14630
Art. No. SAP:	560.0001.563
Front black without Logo	
Pos. CSS:	14696
Art. No. SAP:	560.0001.627
Front for cup sensor black w/o logo	
Pos. CSS:	14697
Art. No. SAP:	560.0001.628
Intermediate PCA V4.xx	
Pos. CSS:	14895
Art. No. SAP:	560.0001.762
Pan head PT screw, K40x12	
Pos. CSS:	6216
Art. No. SAP:	560.0002.354
Self-locking nut M4	
Pos. CSS:	6648
Art. No. SAP:	560.0002.375
Locking bracket	
Pos. CSS:	7581
Art. No. SAP:	560.0003.286

Pan head PT screw, K30x12	
Pos. CSS:	37
Art. No. SAP:	560.0004.253
Thread-rolling screw M4x8	
Pos. CSS:	255
Art. No. SAP:	560.0004.836
Thread-rolling screw M4x12	
Pos. CSS:	6985
Art. No. SAP:	560.0005.041
Hex. socket pan head screw M4x8 A2	
Pos. CSS:	1779
Art. No. SAP:	560.0005.705
Compression spring 46/5/3	
Pos. CSS:	560.0006.233
Art. No. SAP:	560.0006.233
Mounting plate for front door	
Pos. CSS:	560.0484.511
Art. No. SAP:	560.0484.511
USB port cover	
Pos. CSS:	1S000320
Art. No. SAP:	560.0511.228
Spout brake	
Pos. CSS:	1S000663
Art. No. SAP:	560.0519.284
Brake rotor	
Pos. CSS:	560.0551.107
Art. No. SAP:	560.0551.107
Shim ring Ø16x22x0.2 1.4310	
Pos. CSS:	560.0561.244
Art. No. SAP:	560.0561.244
Operator panel 8" FCS4060	
Pos. CSS:	560.0602.838
Art. No. SAP:	560.0602.838
Shim ring	
Pos. CSS:	560.0611.456
Art. No. SAP:	560.0611.456
Hinge	
Pos. CSS:	560.0616.323
Art. No. SAP:	560.0616.323
Reed sensor A line	
Pos. CSS:	560.0654.491
Art. No. SAP:	560.0654.491
Cover steam wand	
Pos. CSS:	
Art. No. SAP:	560.0667.533

A400 ELEKTRİK ve ELEKTRONİK AKSAMLAR





Hexagon screw w/captive washer M5x40	
Pos. CSS:	36
Art. No. SAP:	560.0000.031
Hexagon nut M4 A2	
Pos. CSS:	1060
Art. No. SAP:	560.0000.041
Lock hook	
Pos. CSS:	14199
Art. No. SAP:	560.0001.222
Cover for rear panel, at the bottom	
Pos. CSS:	14209
Art. No. SAP:	560.0001.232
Cover for rear panel	
Pos. CSS:	14210
Art. No. SAP:	560.0001.233
Connection panel with welding studs	
Pos. CSS:	14212
Art. No. SAP:	560.0001.234
RJ45 socket	
Pos. CSS:	14220
Art. No. SAP:	560.0001.241
Membrane grommet EPDM	
Pos. CSS:	14284
Art. No. SAP:	560.0001.288
Switched-mode power supply	
Pos. CSS:	14830
Art. No. SAP:	560.0001.702
Fan pad	
Pos. CSS:	6111
Art. No. SAP:	560.0002.195

Toroidal transformer	
Pos. CSS:	7700
Art. No. SAP:	560.0003.501
Fan	
Pos. CSS:	8335
Art. No. SAP:	560.0003.863
Switch 1832.3313 unlit	
Pos. CSS:	153
Art. No. SAP:	560.0004.329
Hexalobular socket pan head screw K30x8	
Pos. CSS:	292
Art. No. SAP:	560.0005.001
Hex. socket pan head screw M4x8 A2	
Pos. CSS:	1779
Art. No. SAP:	560.0005.705
Fuse FTT 4 A	
Pos. CSS:	345
Art. No. SAP:	560.0005.765
Power I / O PCA A4/600 V4.x	
Pos. CSS:	16247
Art. No. SAP:	560.0484.510
Solid-state relay	
Pos. CSS:	560.0569.987
Art. No. SAP:	560.0569.987
Switched-mode power supply TP170A 230V	
Pos. CSS:	560.0570.144
Art. No. SAP:	560.0570.144
Mounting bracket for SMPS	
Pos. CSS:	560.0579.528
Art. No. SAP:	560.0579.528

Self-locking nut M4
Pos. CSS: 6648
Art. No. SAP: 560.0002.375

Cable CAN data bus 1000
Pos. CSS: 6793
Art. No. SAP: 560.0002.425

Fan grille
Pos. CSS: 7569
Art. No. SAP: 560.0003.237

Locking bracket
Pos. CSS: 7581
Art. No. SAP: 560.0003.286

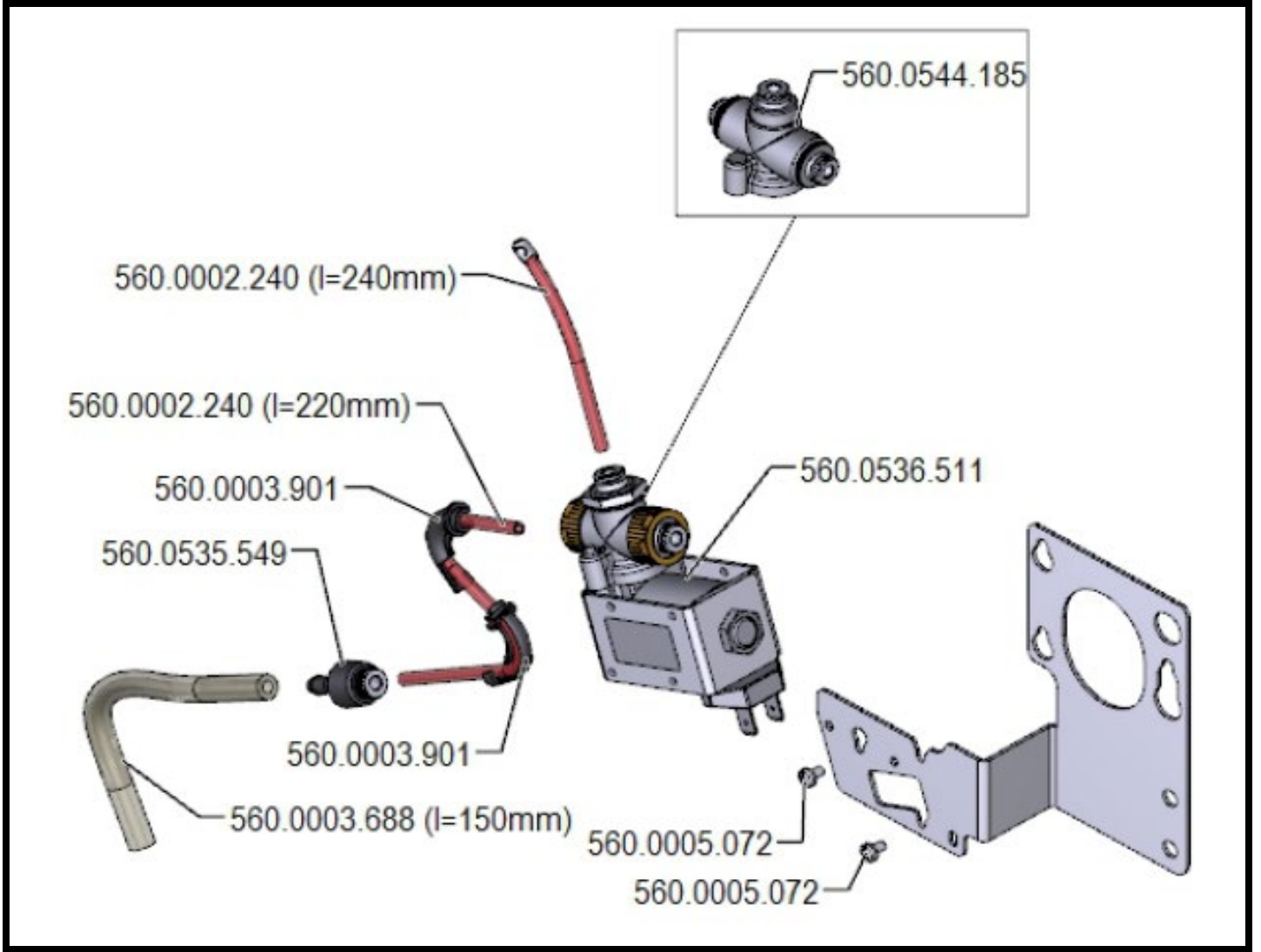
Process PCA V8xx
Pos. CSS: 560.0595.058
Art. No. SAP: 560.0595.058

Reed sensor A line
Pos. CSS: 560.0654.491
Art. No. SAP: 560.0654.491

Cable CAN 6P6C to 4P4C 650
Pos. CSS:
Art. No. SAP: 560.0679.816

Pos. CSS:
Art. No. SAP:

A400 İLK AKIŞ



Hose $\varnothing 4/2,5$ FEP

Pos. CSS: 165
Art. No. SAP: 560.0002.240

Hose $\varnothing 8/4$ MVQ

Pos. CSS: 245
Art. No. SAP: 560.0003.688

Anti-kink protection 120° $\varnothing 4$

Pos. CSS: 8554
Art. No. SAP: 560.0003.901

Thread-rolling screw M3x5

Pos. CSS: 2102
Art. No. SAP: 560.0005.072

Hose nozzle $\varnothing 4$

Pos. CSS: 15001389
Art. No. SAP: 560.0535.549

3/2-way solenoid valve

Pos. CSS: 15001464
Art. No. SAP: 560.0536.511

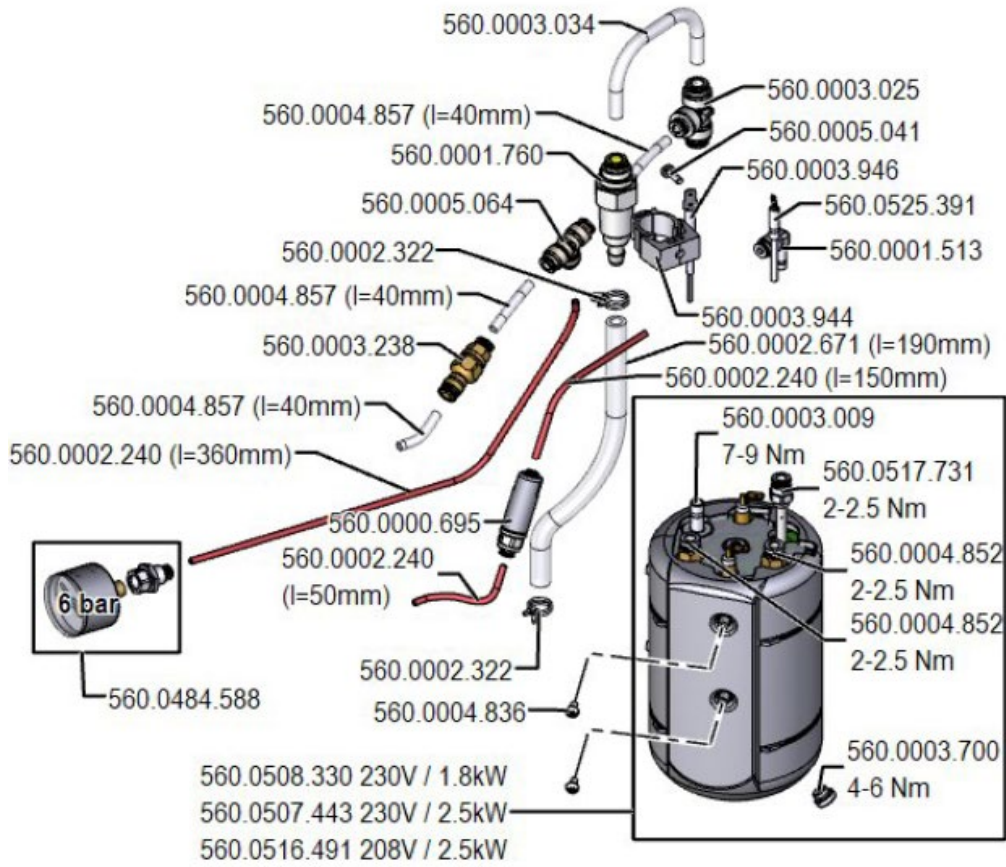
Maintenance kit solenoid valve

Pos. CSS: 15001648
Art. No. SAP: 560.0544.185

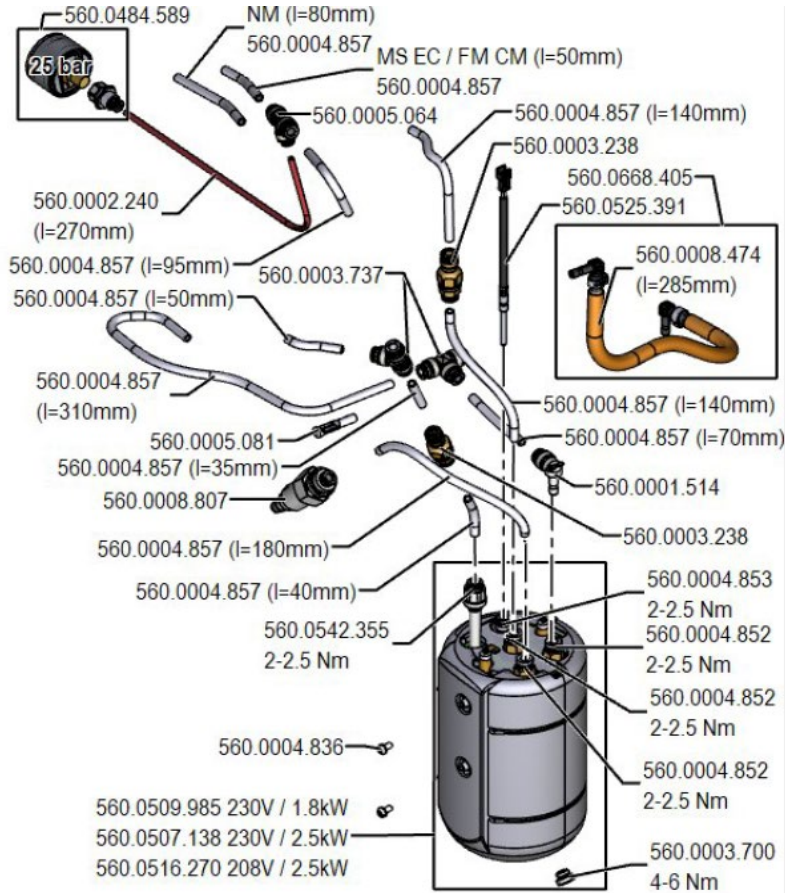
Pos. CSS:
Art. No. SAP:

A400 MS ISITMA SİSTEMİ

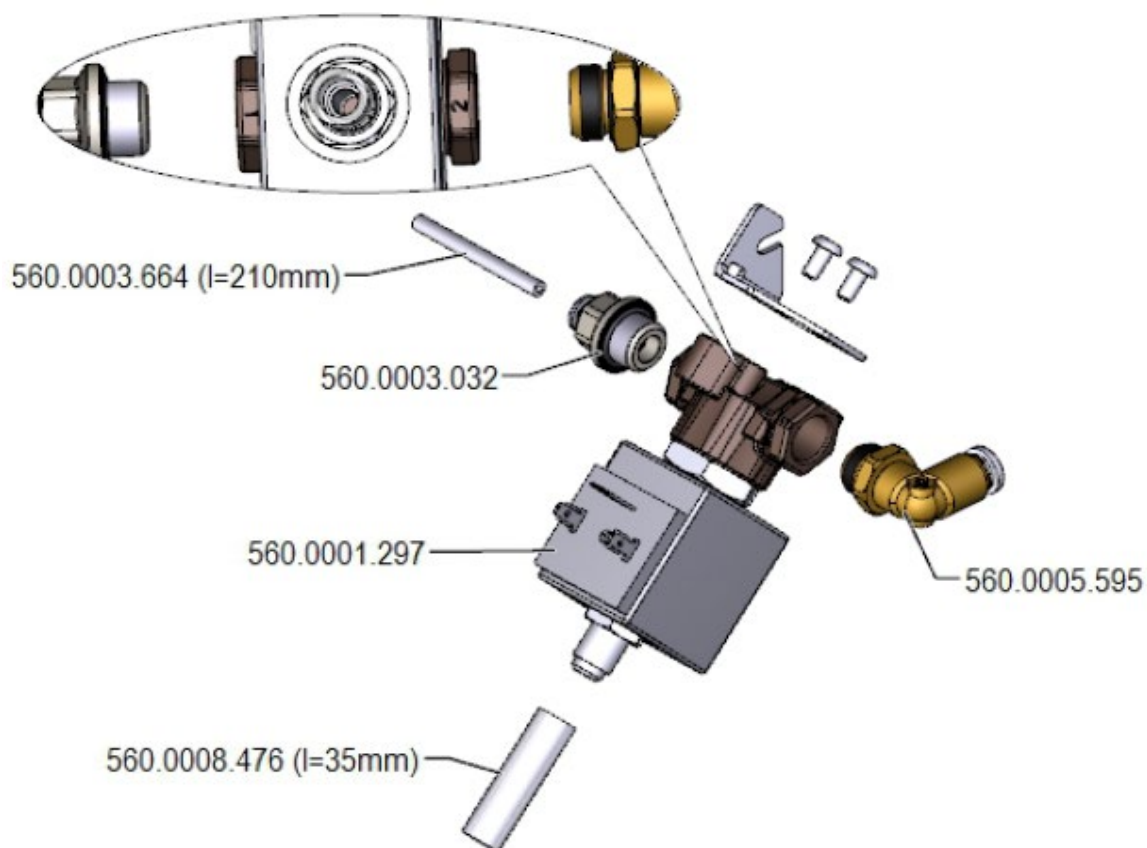
BUHAR BOILERİ



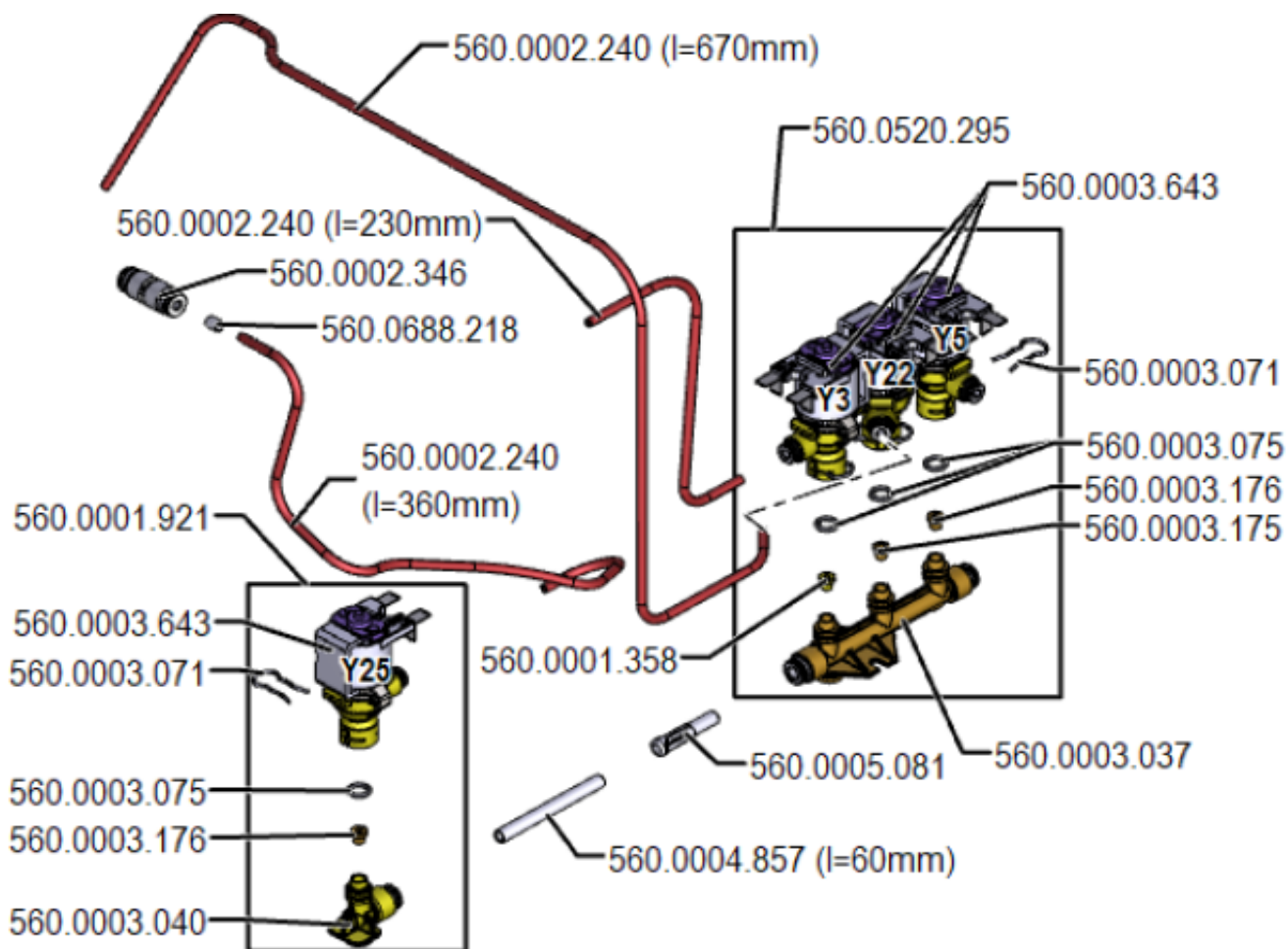
SICAK SU BOILERİ



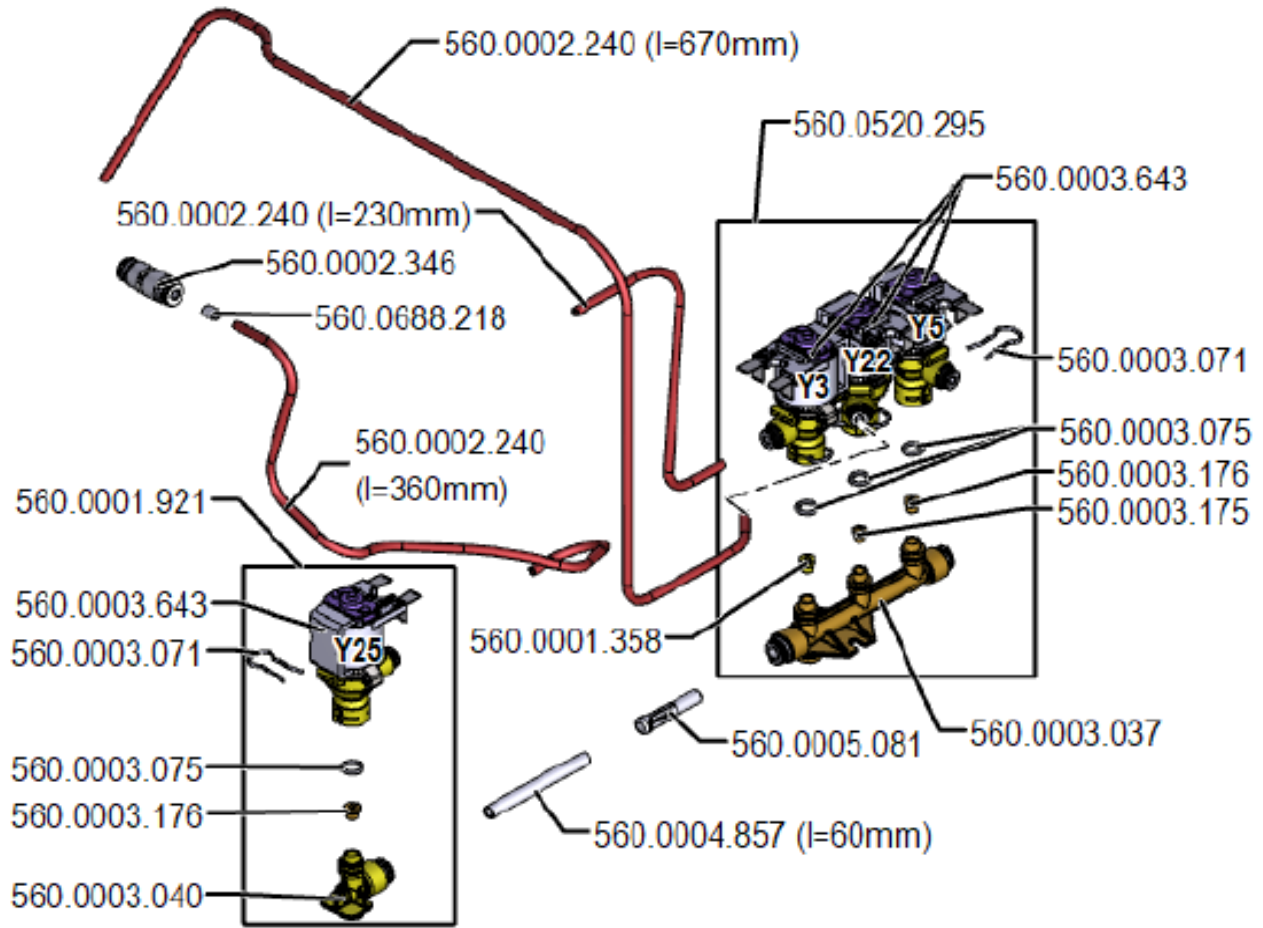
DEMLEME VALFİ



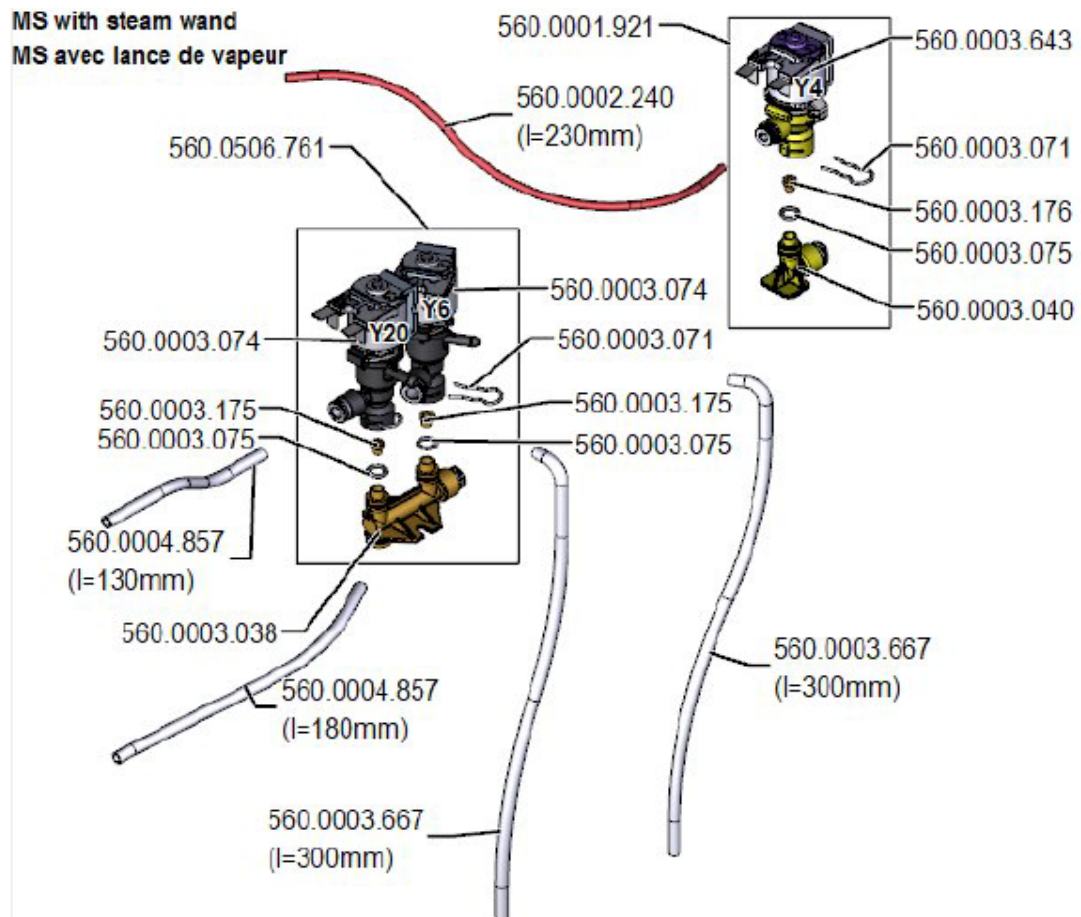
SICAK SU VALF BLOĞU



SICAK SU VALF BLOĞU

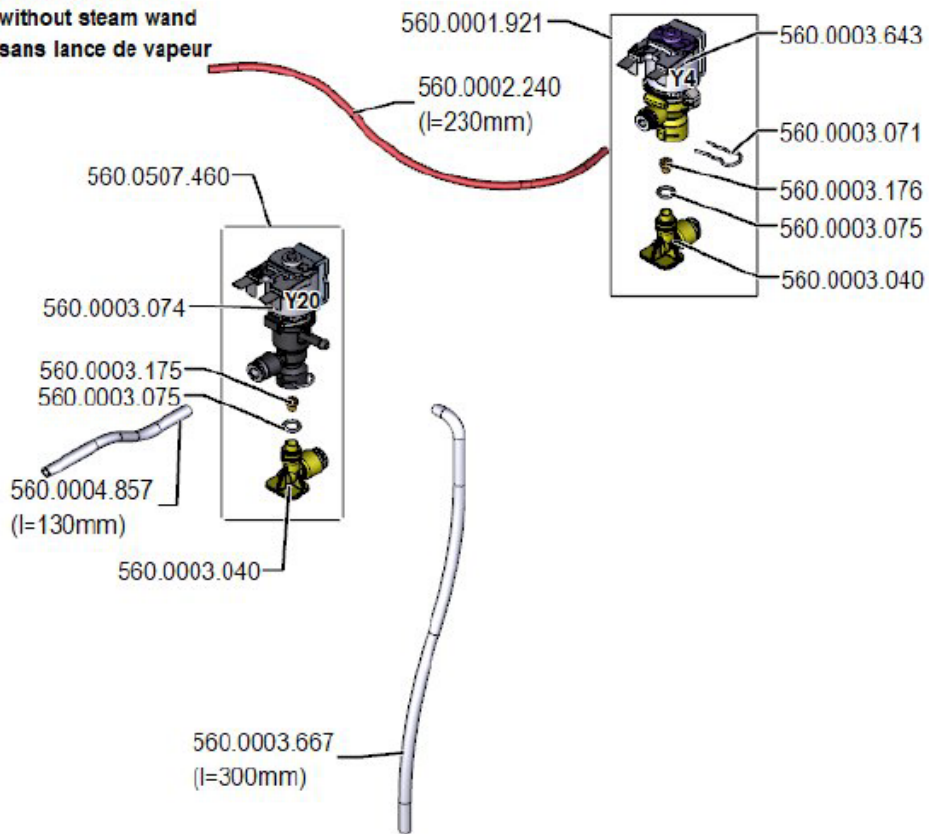


BUHAR / SICAK SU ÇIKIŞI VALF BLOĞU

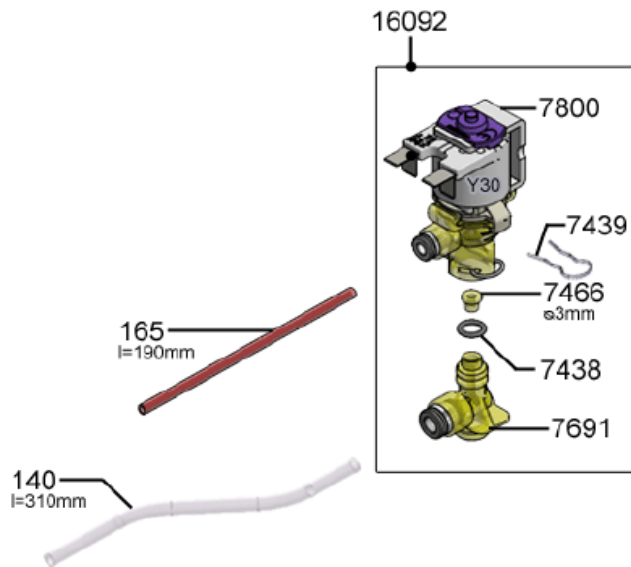


SÜT SİSTEMİ (BUHAR ÇUBUKSUZ)

MS ohne Dampfzange
MS without steam wand
MS sans lance de vapeur



SOĞUK SU VALF BLOĞU

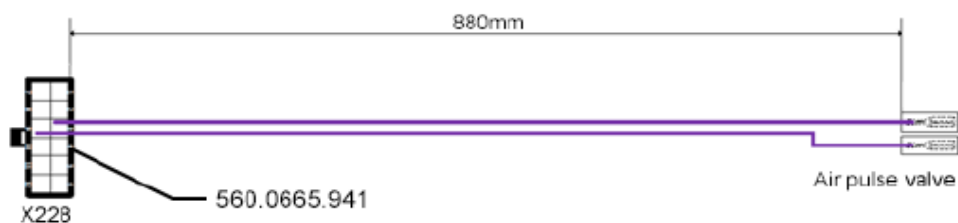


Luftpulsventil ab Produktionsdatum 2022-11-07 (Service Information 22-131)

Air pulse valve starting from production date 2022-11-07 (Service Information 22-131)

Vanne à impulsion d'air à partir de la date de production 2022-11-07 (Informations sur le service 22-131)

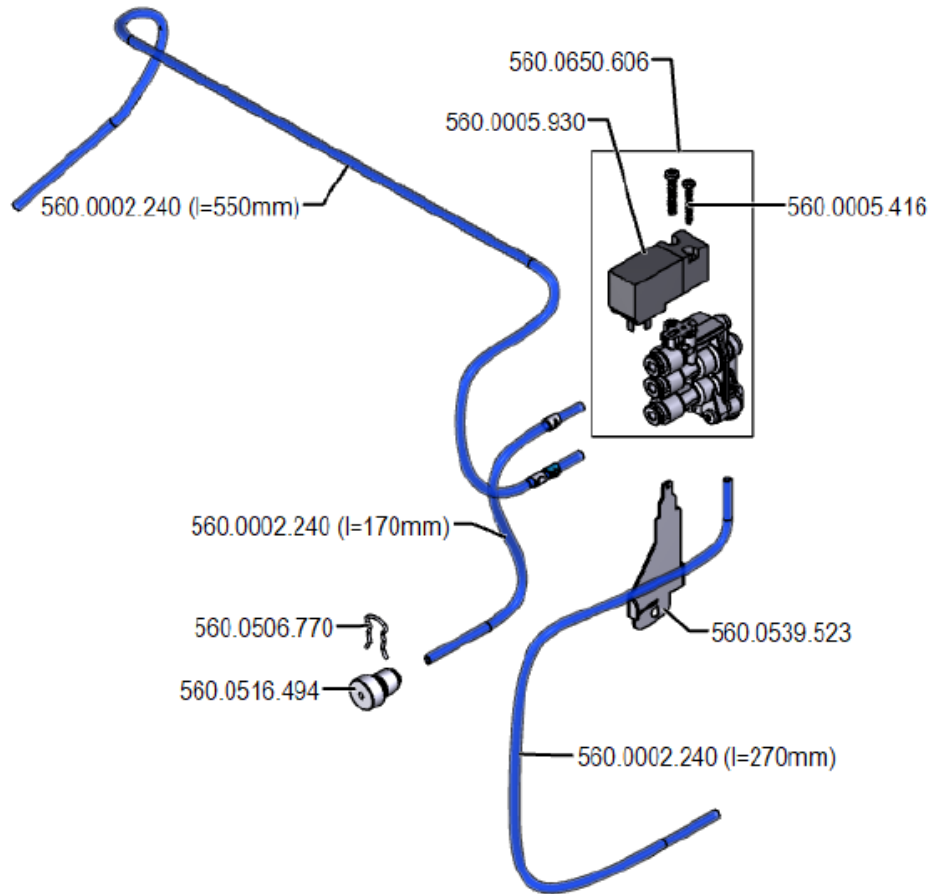
X228 Kabel Milchsystem
Cable milk system
Câble système lait



Luftpulsventil ab Produktionsdatum 2022-11-07 (Service Information 22-131)

Air pulse valve starting from production date 2022-11-07 (Service Information 22-131)

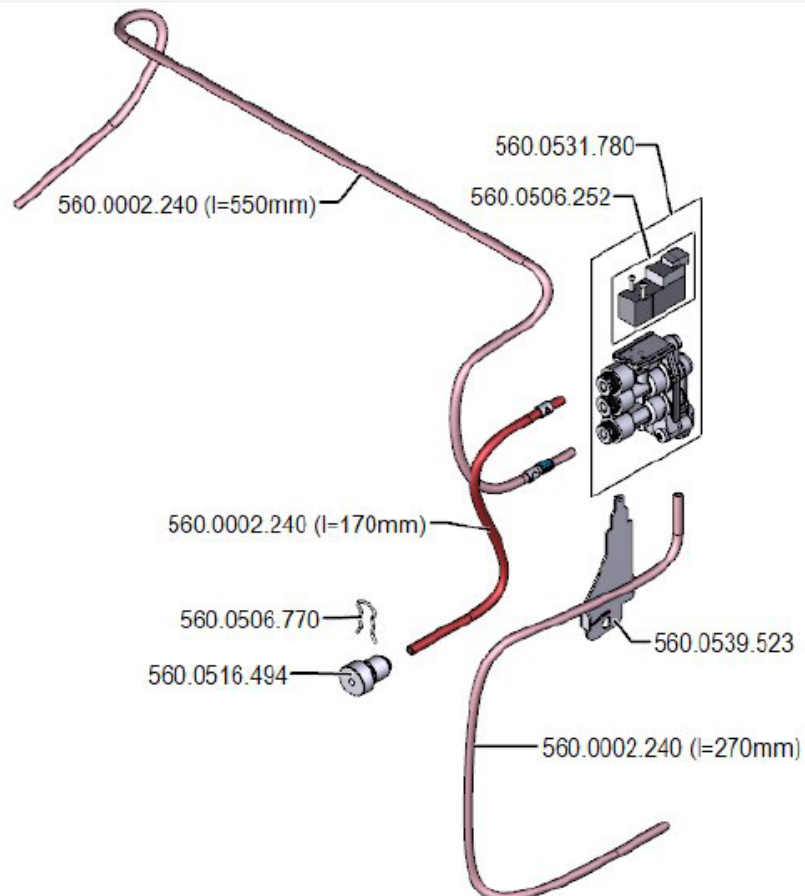
Vanne à impulsion d'air à partir de la date de production 2022-11-07 (Informations sur le service 22-131)



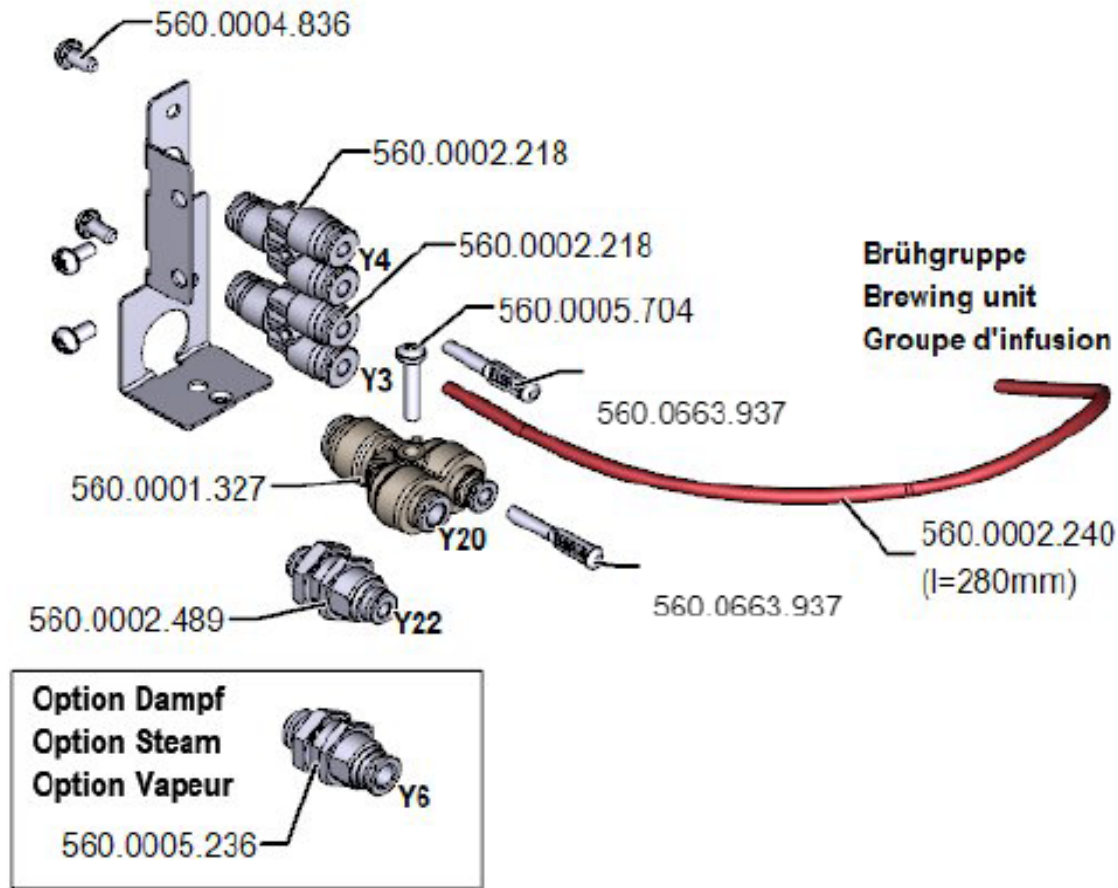
Luftpulsventil bis Produktionsdatum 2022-11-06

Air pulse valve until production date 2022-11-06

Vanne à impulsion d'air jusqu'à la date de production 2022-11-06



ÖNE ÇIKAN FORTUMLAR



Check valve $\varnothing 4/\varnothing 4$ HOP

Pos. CSS: 12530
Art. No. SAP: 560.0000.695

3/2-way valve

Pos. CSS: 14293
Art. No. SAP: 560.0001.297

Push-on Y fitting $\varnothing 8/6/4$ PPSU

Pos. CSS: 14358
Art. No. SAP: 560.0001.327

Valve seat $\varnothing 0.65$ PPSU

Pos. CSS: 14392
Art. No. SAP: 560.0001.358

Barbed/push-on elbow fitting $\varnothing 6/4$ PPSU

Pos. CSS: 14569
Art. No. SAP: 560.0001.513

Barbed/push-on elbow fitting $\varnothing 6/6$ PPSU

Pos. CSS: 14570
Art. No. SAP: 560.0001.514

Pressure relief valve, 3 bar

Pos. CSS: 14893
Art. No. SAP: 560.0001.760

Valve group single $\varnothing 3$ 6-4

Pos. CSS: 16092
Art. No. SAP: 560.0001.917

Thread-rolling screw M4x8

Pos. CSS: 255
Art. No. SAP: 560.0004.836

Screw-in push-on fitting G1/8"- $\varnothing 6$

Pos. CSS: 190
Art. No. SAP: 560.0004.852

Screw-in push-on fitting G1/4"- $\varnothing 6$

Pos. CSS: 137
Art. No. SAP: 560.0004.853

Hose $\varnothing 6/4$ PFA

Pos. CSS: 140
Art. No. SAP: 560.0004.857

Thread-rolling screw M4x12

Pos. CSS: 6985
Art. No. SAP: 560.0005.041

Push-on Tee fitting $\varnothing 6/6/4$ PPSU

Pos. CSS: 2221
Art. No. SAP: 560.0005.064

Sealing plug $\varnothing 6$ PVDF

Pos. CSS: 2218
Art. No. SAP: 560.0005.081

Bulkhead fitting $\varnothing 6-\varnothing 6$

Pos. CSS: 5665
Art. No. SAP: 560.0005.236

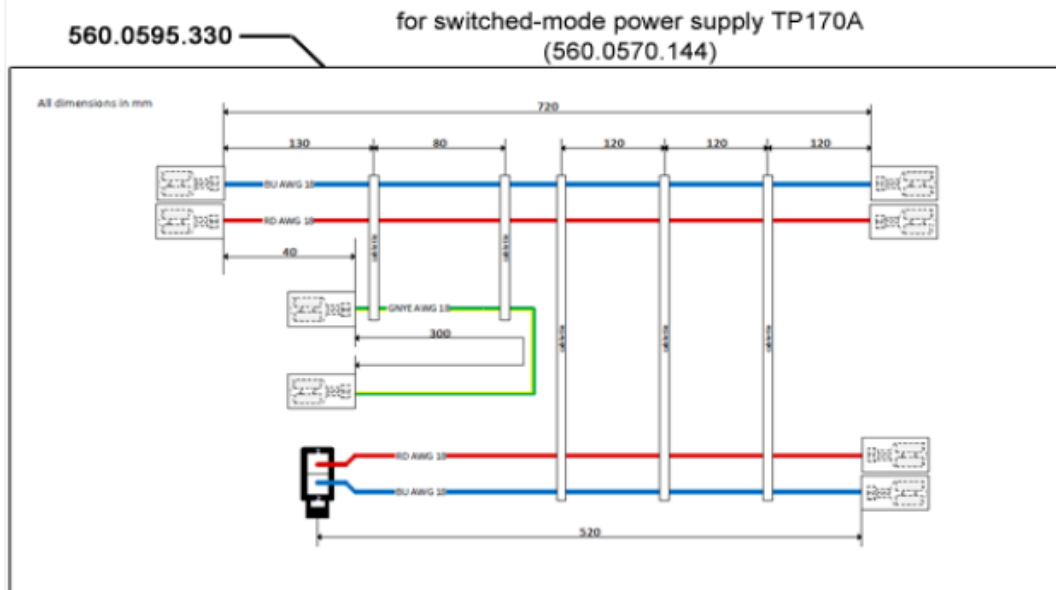
Valve group Ø1 6-4	
Pos. CSS:	16096
Art. No. SAP:	560.0001.921
Push-on Y fitting Ø4/4/4 PVDF	
Pos. CSS:	6052
Art. No. SAP:	560.0002.218
Hose Ø4/2,5 FEP	
Pos. CSS:	165
Art. No. SAP:	560.0002.240
Hose clamp	
Pos. CSS:	6355
Art. No. SAP:	560.0002.322
Push-on fitting Ø6-Ø4	
Pos. CSS:	6973
Art. No. SAP:	560.0002.346
Bulkhead fitting Ø4-Ø4	
Pos. CSS:	6968
Art. No. SAP:	560.0002.489
Hose Ø12/7 MVQ	
Pos. CSS:	6933
Art. No. SAP:	560.0002.671
Screw-in fitting G1/4"-Ø8	
Pos. CSS:	7779
Art. No. SAP:	560.0003.009
Push-fit Tee union 8-6FF	
Pos. CSS:	7368
Art. No. SAP:	560.0003.025
Screw-in push-on fitting 1/4"	
Pos. CSS:	7223
Art. No. SAP:	560.0003.032
Line for pressure relief valve PFA	
Pos. CSS:	7367
Art. No. SAP:	560.0003.034
Manifold 2-3	
Pos. CSS:	7440
Art. No. SAP:	560.0003.037
Manifold 1-2 Ø6 PPSU	
Pos. CSS:	7394
Art. No. SAP:	560.0003.038
Manifold Ø6 / 1-1	
Pos. CSS:	7691
Art. No. SAP:	560.0003.040
Spring clip	
Pos. CSS:	7439
Art. No. SAP:	560.0003.071
3/2-way solenoid valve	
Pos. CSS:	7457
Art. No. SAP:	560.0003.074

Pan head PT screw, K30x20	
Pos. CSS:	5537
Art. No. SAP:	560.0005.416
Screw-in push-on elbow fitting G1/4"	
Pos. CSS:	3710
Art. No. SAP:	560.0005.595
Hexalobular socket pan head screw M4x20	
Pos. CSS:	5067
Art. No. SAP:	560.0005.704
Air pulse valve	
Pos. CSS:	
Art. No. SAP:	560.0005.930
Insulating hose Ø11/10 MVQ	
Pos. CSS:	7078
Art. No. SAP:	560.0008.474
Hose Ø10/1.5 MVQ	
Pos. CSS:	141
Art. No. SAP:	560.0008.476
Pressure relief valve, 12 bar	
Pos. CSS:	7451
Art. No. SAP:	560.0008.807
Pressure gage 6 bar	
Pos. CSS:	16165
Art. No. SAP:	560.0484.588
Pressure gage 25 bar	
Pos. CSS:	16166
Art. No. SAP:	560.0484.589
Air pulse valve	
Pos. CSS:	15000066
Art. No. SAP:	560.0506.252
Valve group double Ø3-3	
Pos. CSS:	15000157
Art. No. SAP:	560.0506.761
Spring clip	
Pos. CSS:	15000163
Art. No. SAP:	560.0506.770
Brew boiler 2.5kW 230V	
Pos. CSS:	15000184
Art. No. SAP:	560.0507.138
Steam boiler assembly 2.5kW 230V	
Pos. CSS:	15000194
Art. No. SAP:	560.0507.443
Valve group single Ø3	
Pos. CSS:	15000208
Art. No. SAP:	560.0507.460
Steam boiler assembly 1.8kW 230V	
Pos. CSS:	15000243
Art. No. SAP:	560.0508.330

O-ring 6.7x1.8 silicone	
Pos. CSS:	7438
Art. No. SAP:	560.0003.075
<hr/>	
Valve seat Ø3 PPSU	
Pos. CSS:	7466
Art. No. SAP:	560.0003.175
<hr/>	
Valve seat Ø1 PPSU	
Pos. CSS:	7467
Art. No. SAP:	560.0003.176
<hr/>	
In-line filter Ø6	
Pos. CSS:	7570
Art. No. SAP:	560.0003.238
<hr/>	
2/2-way control valve PPSU	
Pos. CSS:	7800
Art. No. SAP:	560.0003.643
<hr/>	
Hose Ø4/2 PFA	
Pos. CSS:	273
Art. No. SAP:	560.0003.664
<hr/>	
Hose Ø6/3 MVQ	
Pos. CSS:	241
Art. No. SAP:	560.0003.667
<hr/>	
Screw plug hexagon socket 1/8"	
Pos. CSS:	194
Art. No. SAP:	560.0003.700
<hr/>	
Push-on Tee fitting Ø6/6/6 PPSU	
Pos. CSS:	1514
Art. No. SAP:	560.0003.737
<hr/>	
Double grip hose clamp 19.5-21.8 mm	
Pos. CSS:	8584
Art. No. SAP:	560.0003.944
<hr/>	
Continuous level sensor 84mm	
Pos. CSS:	8606
Art. No. SAP:	560.0003.946
<hr/>	
Sealing plug Ø4 PPSU	
Pos. CSS:	560.0663.937
Art. No. SAP:	560.0663.937
<hr/>	

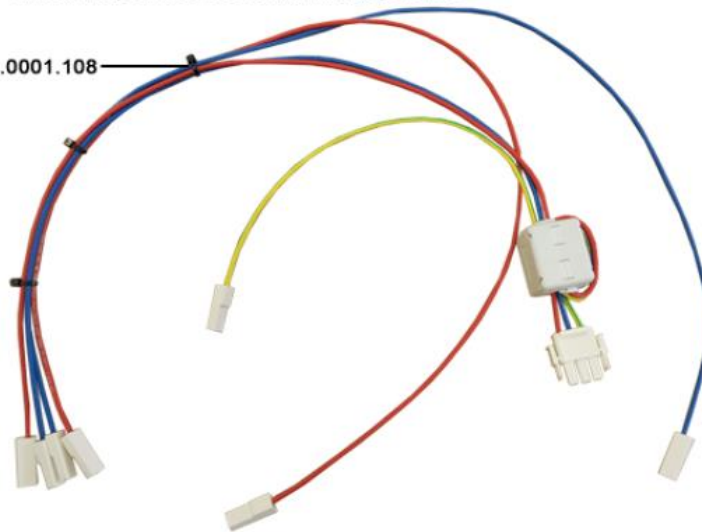
Brew boiler 1.8kW 230V	
Pos. CSS:	1S000246
Art. No. SAP:	560.0509.985
<hr/>	
Brew boiler 2.5kW 208V	
Pos. CSS:	1S000559
Art. No. SAP:	560.0516.270
<hr/>	
Steam boiler assembly 2.5kW 208V	
Pos. CSS:	1S000560
Art. No. SAP:	560.0516.491
<hr/>	
Air intake with port	
Pos. CSS:	1S000563
Art. No. SAP:	560.0516.494
<hr/>	
Feed pipe HW/steam 74.5mm assembled	
Pos. CSS:	560.0517.731
Art. No. SAP:	560.0517.731
<hr/>	
Valve group triple Ø0.65-1-3	
Pos. CSS:	1S000779
Art. No. SAP:	560.0520.295
<hr/>	
Temperature sensor	
Pos. CSS:	8576
Art. No. SAP:	560.0525.391
<hr/>	
Distributor block	
Pos. CSS:	560.0531.780
Art. No. SAP:	560.0531.780
<hr/>	
Mounting plate for manifold	
Pos. CSS:	560.0539.523
Art. No. SAP:	560.0539.523
<hr/>	
Dip tube for hot water assembled	
Pos. CSS:	1S001594
Art. No. SAP:	560.0542.355
<hr/>	
Distributor block	
Pos. CSS:	
Art. No. SAP:	560.0650.606
<hr/>	

A400 KABLOLAMA



- X1** Speisung Schaltnetzteil
Power supply for power switching module
Alimentation pour module de commutation de puissance

560.0001.108



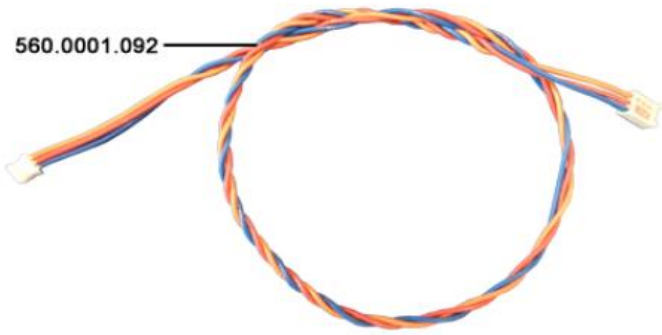
- X101** Steuerung 230 Vac
X102 Control wiring harness 230 Vac
X105 Harnais de câblage de commande 230 Vac
X106

560.0506.465



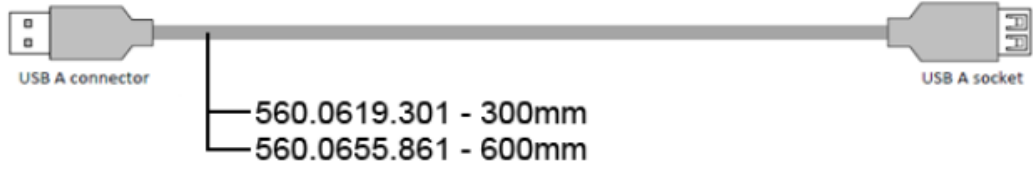
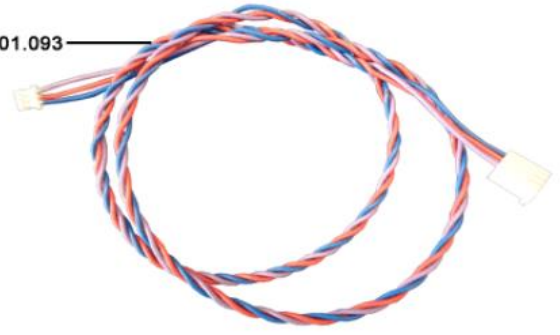
X208 Wassertank RAWE
Water tank RAWE
Reservoir d'eau RAWE

560.0001.092



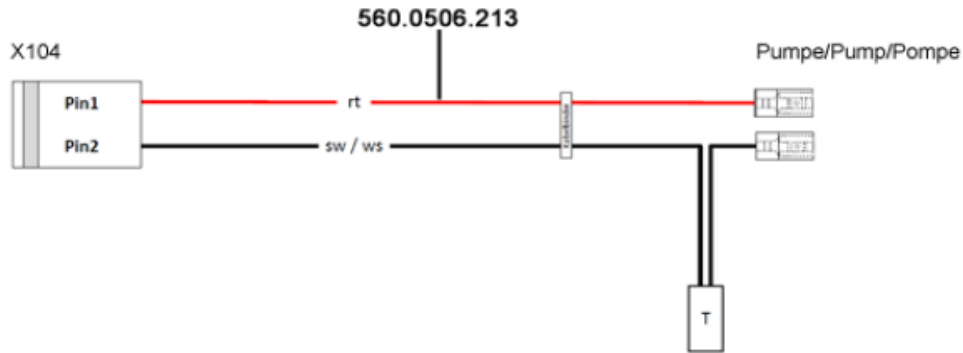
X209 Tropfschale
Drip tray
Bac collecteur

560.0001.093



560.0619.301 - 300mm
560.0655.861 - 600mm

X104 Kabel zu Wasserpumpe
Cable to water pump
Câble à pompe à eau



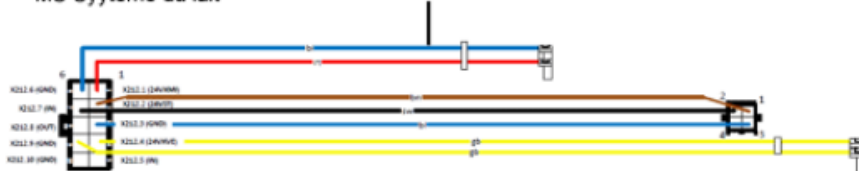
X210 Mahlwerke Inkremente
Grinder increments
Incréments de moulins

560.0001.094



X212 MS Milchsystem
MS Milk system
MS Systeem du lait

560.0516.263



X211 Brühgruppe
Brewing unit
Group d'infusion

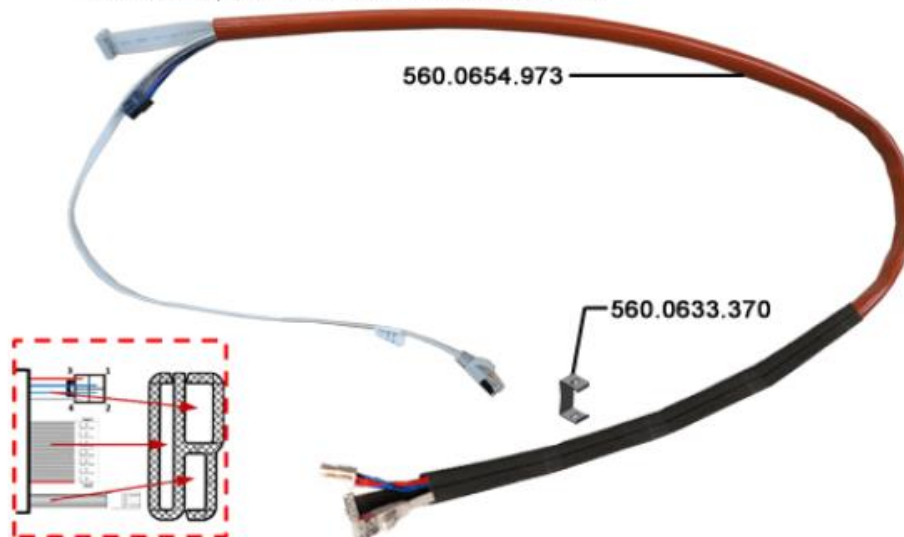
560.0515.976



X214 Kommunikation PP - LIO
Communication PP - LIO
Communication PP - LIO

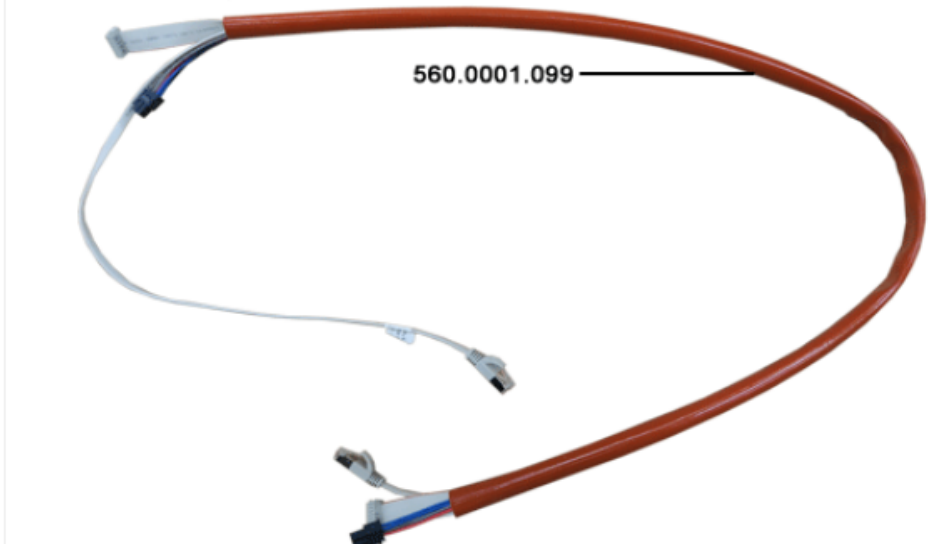


X215 Speisung, Kommunikation PP - Zwischenprint
Power supply, Communication PP - Intermediate Print
X216 Alimentation, Communication PP - Intermédiaire Print



bis Produktionsdatum 18.05.2022
until production date 2022-05-18
jusqu'à la date de production 2022-05-18

X215 Speisung, Kommunikation PP - Zwischenprint
Power supply, Communication PP - Intermediate Print
X216 Alimentation, Communication PP - Intermédiaire Print



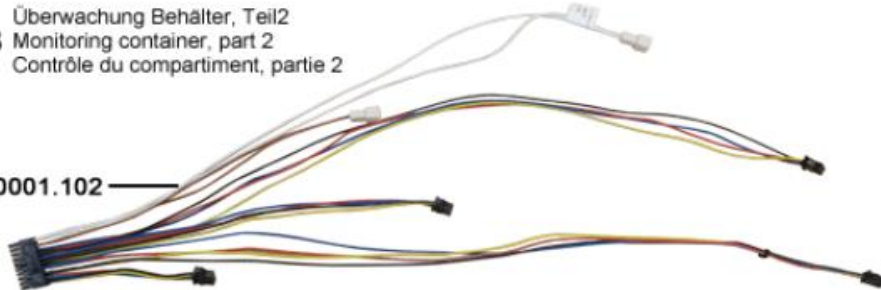
X218 Überwachung Behälter, Teil 1
Monitoring container, part 1
Contrôle du compartiment, partie 1

560.0001.101



X218 Überwachung Behälter, Teil2
Monitoring container, part 2
Contrôle du compartiment, partie 2

560.0001.102



X225 Sensor Satztür / Lüfter Boden / Tank extern
Sensor coffe grounds door / fan bottom / tank extern
Capteur porte marc de café / ventilateur en bas / reservoir externe

560.0001.105

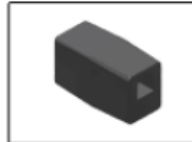


X227 Kabelbaum Kommunikation / Speisung
X230 Wiring harness communication / supply
Câblage communication / alimentation

Symbolbild
symbolic picture
symbolique photo



560.0001.082



560.0002.932

Kühleinheit SU12
Refrigeration unit SU12
Unité de réfrigération SU12

EC



560.0484.708

Kaffeemaschine
Coffee machine
Machine à café

A400EC

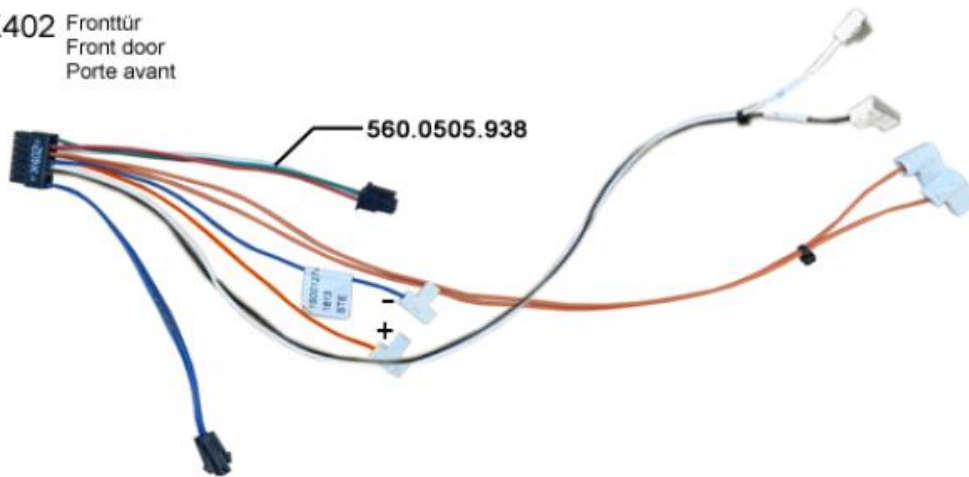


560.0006.648

X228 Kabel Milchsystem
Cable milk system
Câble système lait



X402 Fronttür
Front door
Porte avant



Can Bus		Cable X1 power supply SMPS	
Pos. CSS:	14008	Pos. CSS:	14043
Art. No. SAP:	560.0001.082	Art. No. SAP:	560.0001.108
Cable X208 water tank		Adapter for CAN cable	
Pos. CSS:	14022	Pos. CSS:	6796
Art. No. SAP:	560.0001.092	Art. No. SAP:	560.0002.932
Cable X209 drip tray		Cable for comm. power supply KM	
Pos. CSS:	14023	Pos. CSS:	15882
Art. No. SAP:	560.0001.093	Art. No. SAP:	560.0006.648
Cable X210 grinder		Cable for comm. power supply CU milk sys	
Pos. CSS:	14024	Pos. CSS:	15982
Art. No. SAP:	560.0001.094	Art. No. SAP:	560.0484.708
Cable X214 process PCA		Cable X402 front door A line manual	
Pos. CSS:	14028	Pos. CSS:	15000030
Art. No. SAP:	560.0001.098	Art. No. SAP:	560.0505.938
Cable X215 X216 operator panel		Cable X104 solenoid pump	
Pos. CSS:	14030	Pos. CSS:	15000059
Art. No. SAP:	560.0001.099	Art. No. SAP:	560.0506.213
Cable X218 container, part 1		Power cord 230VAC FCS4060	
Pos. CSS:	14032	Pos. CSS:	15000116
Art. No. SAP:	560.0001.101	Art. No. SAP:	560.0506.465
Cable X218		Cable X211 brewing unit 200mm	
Pos. CSS:	14033	Pos. CSS:	15000545
Art. No. SAP:	560.0001.102	Art. No. SAP:	560.0515.976
Cable X225 sensors		Cable X212 milk system	
Pos. CSS:	14037	Pos. CSS:	15000555
Art. No. SAP:	560.0001.105	Art. No. SAP:	560.0516.263

Cable SMPS power connection
Pos. CSS: 560.0595.330
Art. No. SAP: 560.0595.330

USB extension cable 0.3m
Pos. CSS: 560.0619.301
Art. No. SAP: 560.0619.301

Cable guide front door
Pos. CSS:
Art. No. SAP: 560.0633.370

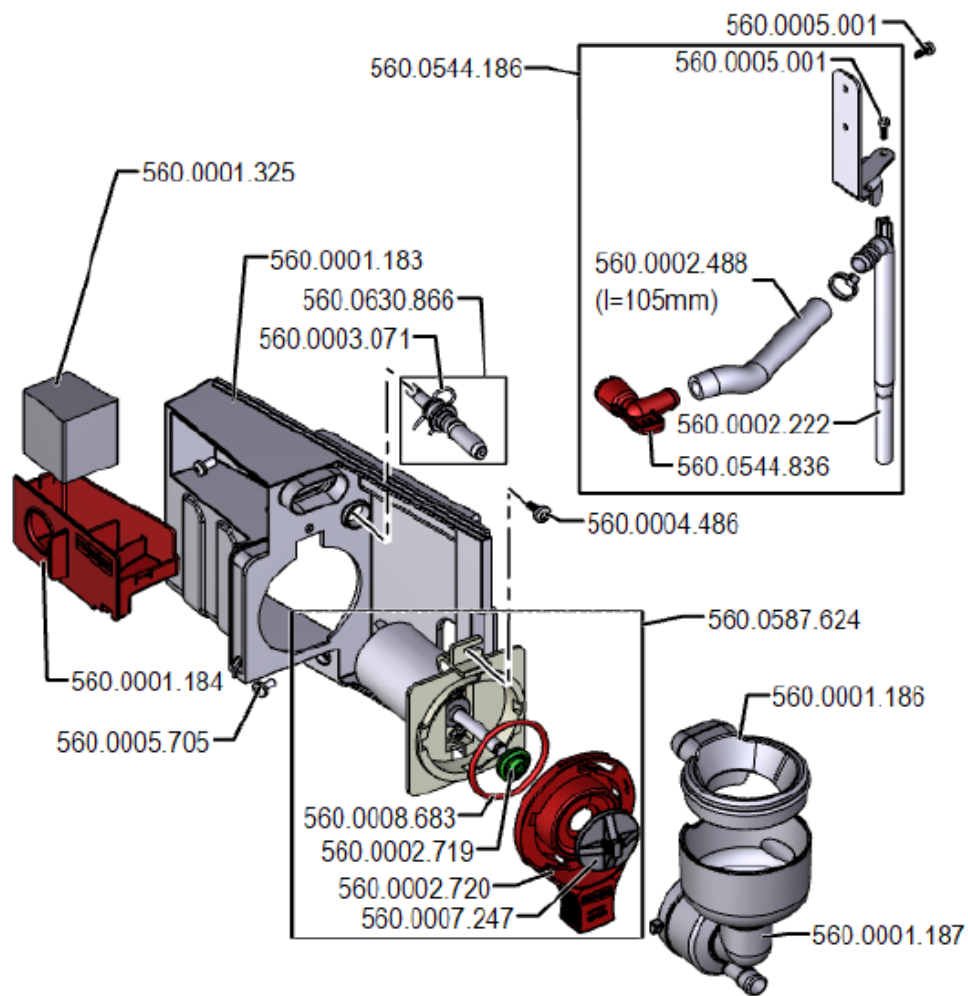
Cable X215 X216 operator Panel
Pos. CSS: 560.0654.973
Art. No. SAP: 560.0654.973

USB extension cable 0.6m
Pos. CSS:
Art. No. SAP: 560.0655.861

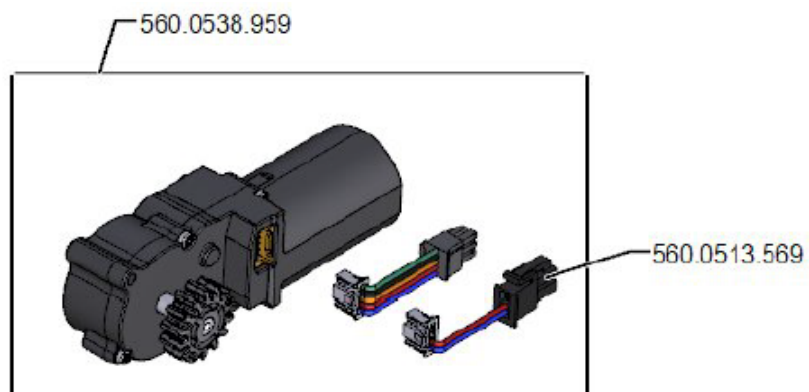
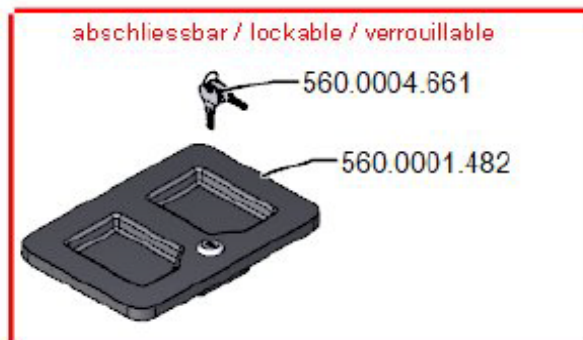
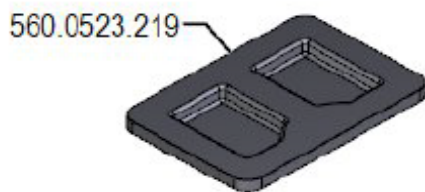
Cable X228 milk system
Pos. CSS:
Art. No. SAP: 560.0665.941

Cable control 24/5Vdc FCS4060 V2
Pos. CSS:
Art. No. SAP: 560.0665.943

A400 KAKAO ÜNİTESİ

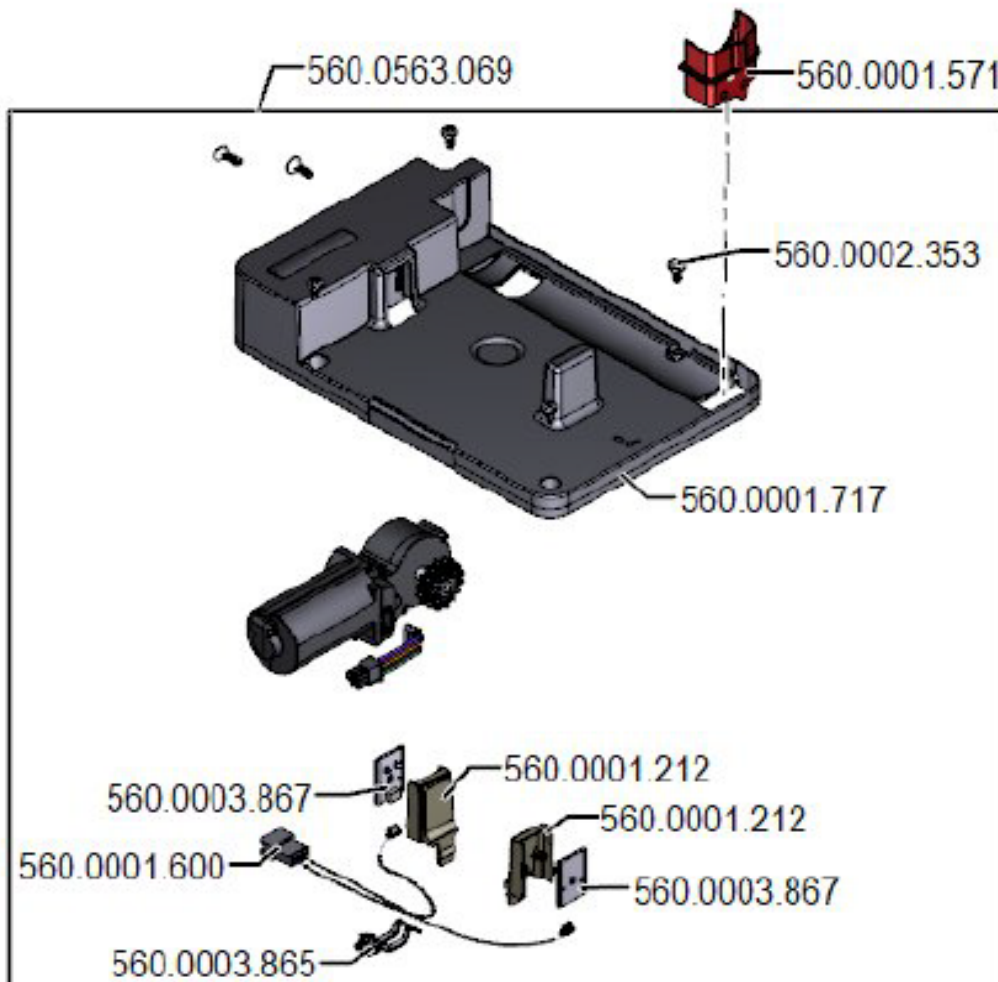
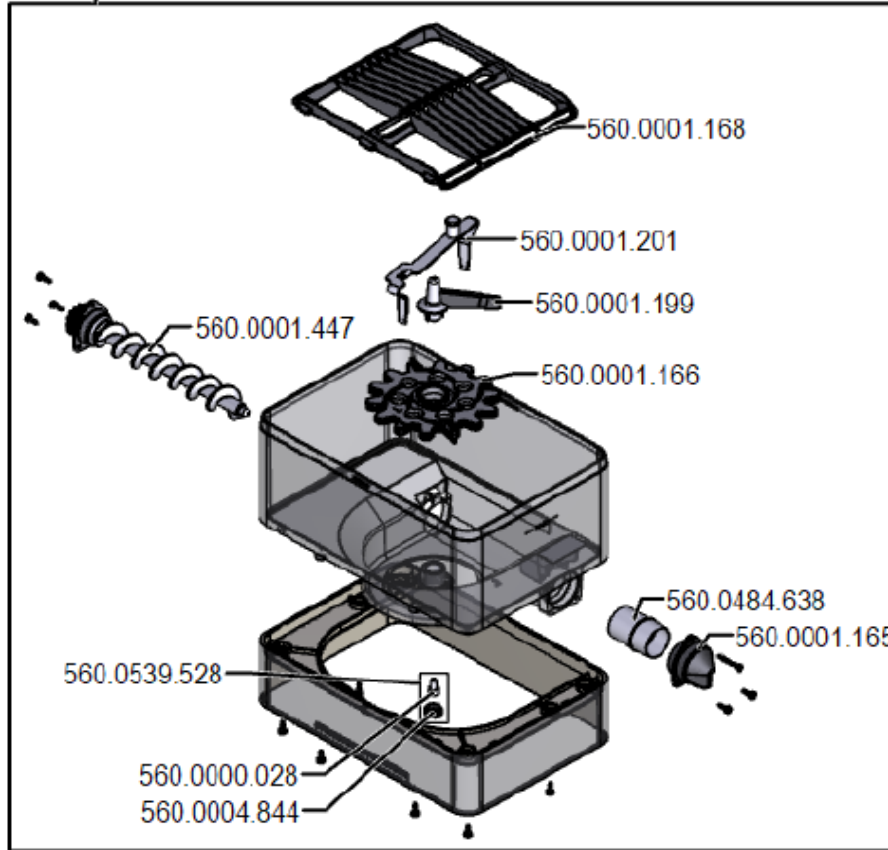


Links & Rechts / Left & right / Gauche & droite



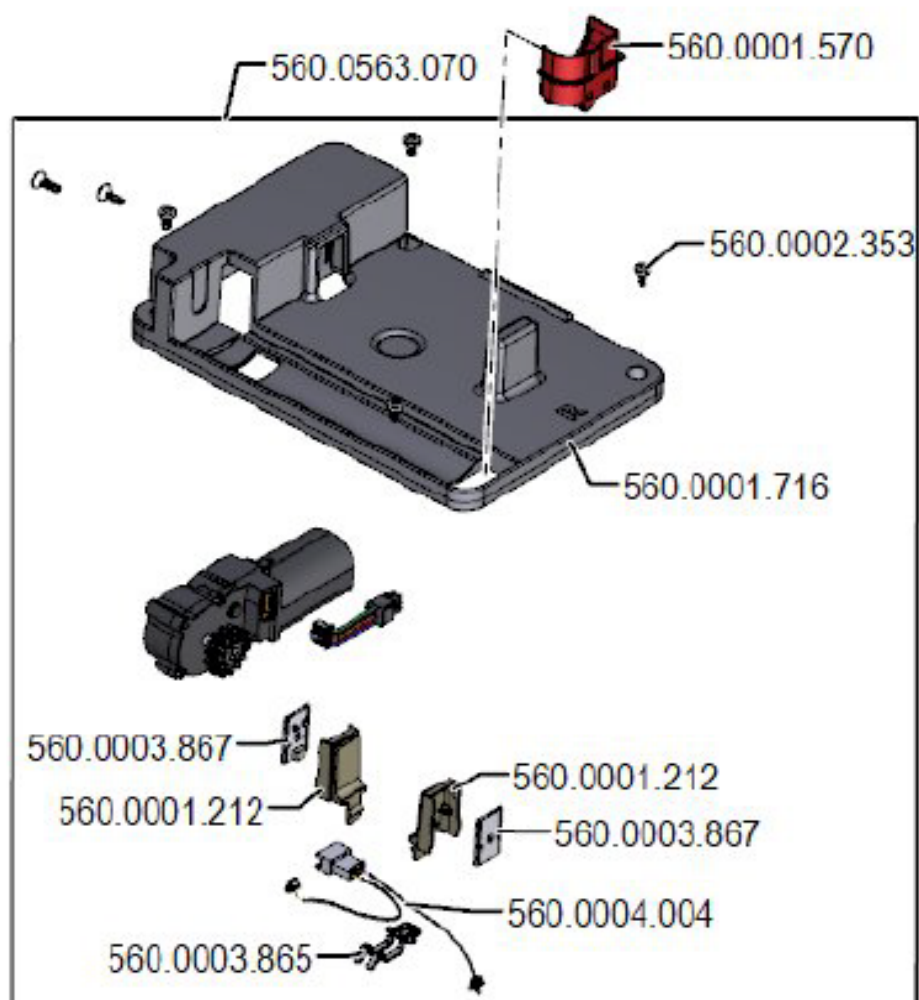
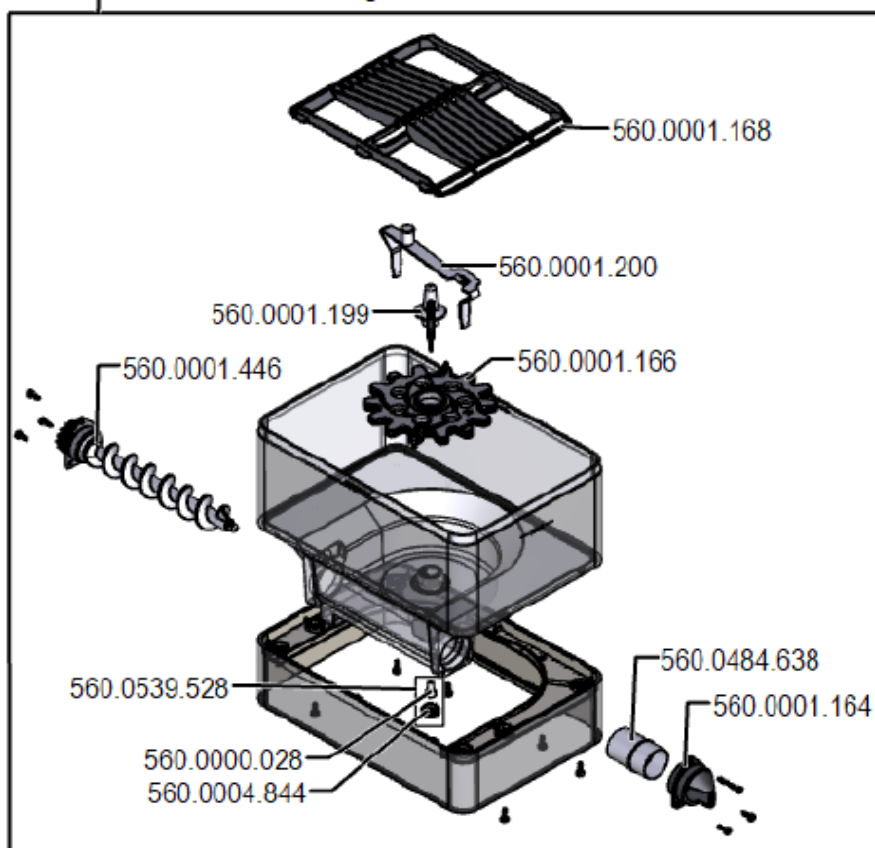
SOL

- 560.0001.977 1x1200g tinted
- 560.0569.511 1x1200g clear
- 560.0513.568 1x600g tinted
- 560.0569.488 1x600g clear



SAĞ

560.0001.974 1x1200g tinted
560.0569.490 1x1200g clear
560.0513.567 1x600g tinted
560.0569.489 1x600g clear



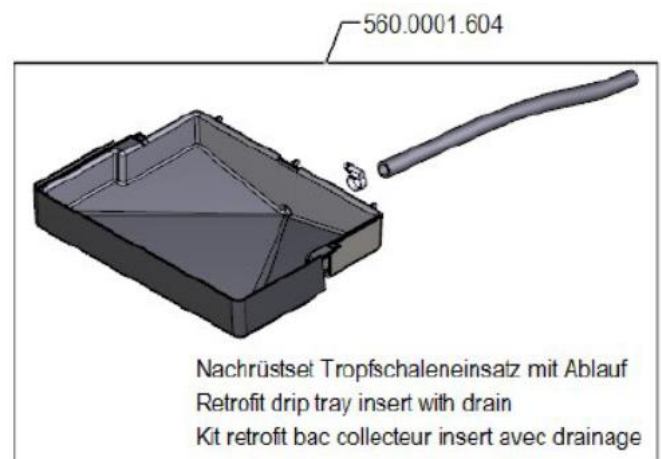
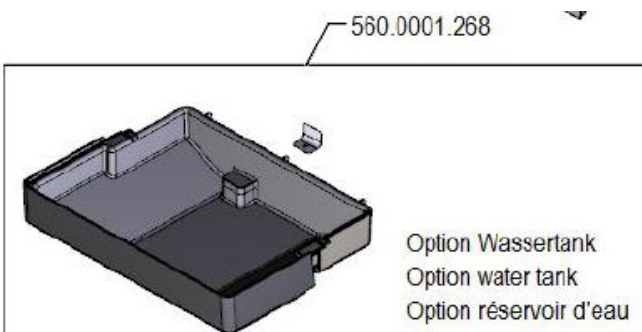
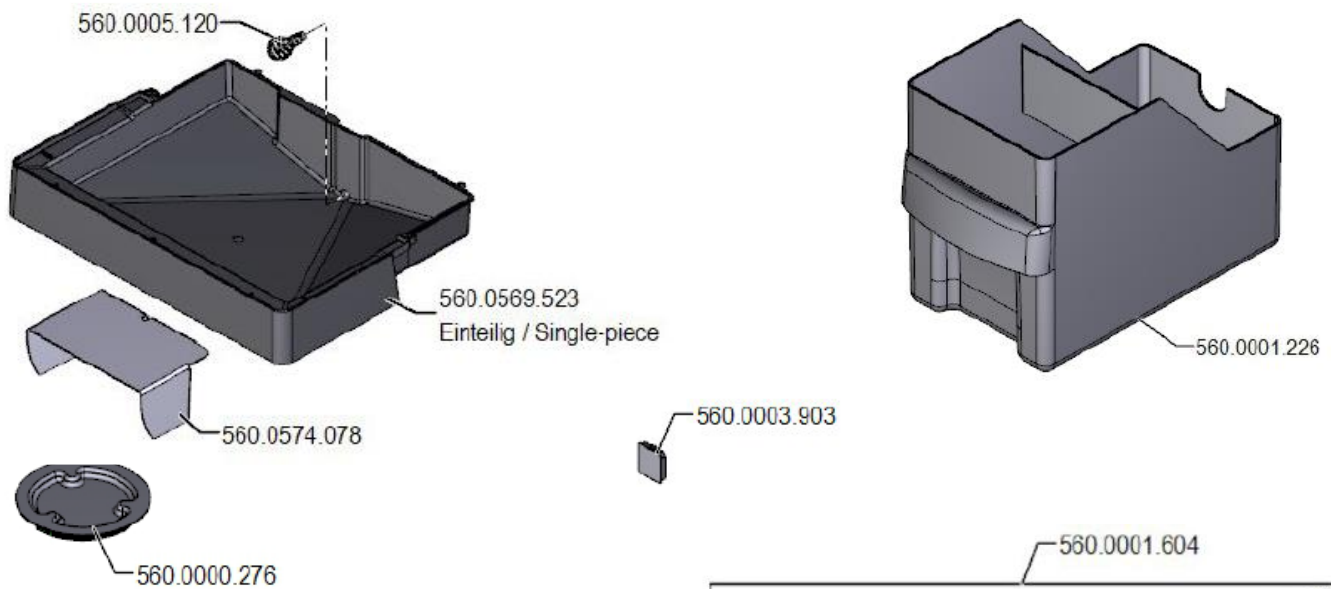
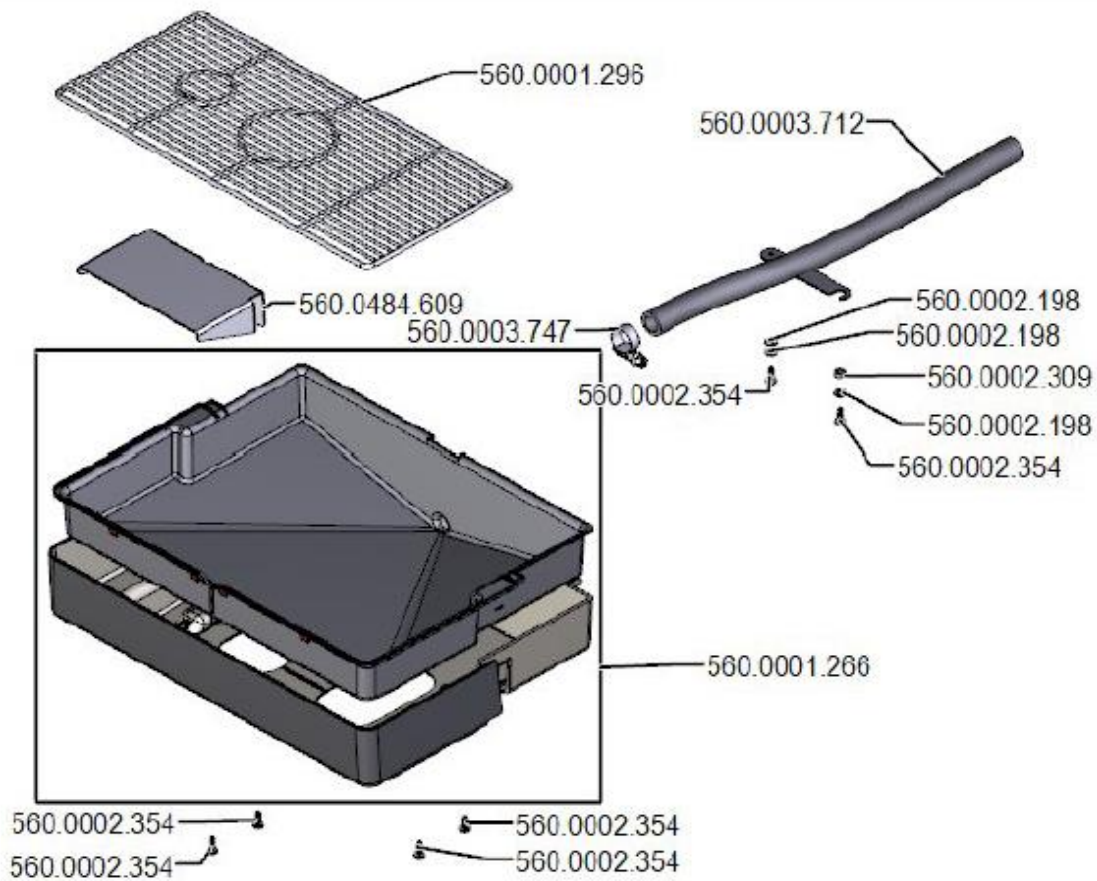
Hexagon socket head cap screw M4x8	
Pos. CSS:	463
Art. No. SAP:	560.0000.028
Dosing outlet RH	
Pos. CSS:	14119
Art. No. SAP:	560.0001.164
Dosing outlet LH	
Pos. CSS:	14120
Art. No. SAP:	560.0001.165
Worm gear	
Pos. CSS:	14122
Art. No. SAP:	560.0001.166
Powder slider	
Pos. CSS:	14127
Art. No. SAP:	560.0001.168
Casing for mixer	
Pos. CSS:	14151
Art. No. SAP:	560.0001.183
Filter drawer	
Pos. CSS:	14152
Art. No. SAP:	560.0001.184
Mixer chamber lid	
Pos. CSS:	14154
Art. No. SAP:	560.0001.186
Mixer chamber	
Pos. CSS:	14155
Art. No. SAP:	560.0001.187
Powder wheel axle, assembled	
Pos. CSS:	14172
Art. No. SAP:	560.0001.199
Agitator, right hand	
Pos. CSS:	14173
Art. No. SAP:	560.0001.200
Agitator, left-hand	
Pos. CSS:	14174
Art. No. SAP:	560.0001.201
Support for IR sensor	
Pos. CSS:	14186
Art. No. SAP:	560.0001.212
Foam filter	
Pos. CSS:	14356
Art. No. SAP:	560.0001.325
Worm shaft RH assembled	
Pos. CSS:	14501
Art. No. SAP:	560.0001.446
Worm shaft LH assembled	
Pos. CSS:	
Art. No. SAP:	

Cable X5 sensors powder right	
Pos. CSS:	8925
Art. No. SAP:	560.0004.004
Pan head PT screw, K40x10	
Pos. CSS:	3715
Art. No. SAP:	560.0004.486
Key for lock 1P315206	
Pos. CSS:	2632
Art. No. SAP:	560.0004.661
Knurled cap M4 BN 412	
Pos. CSS:	452
Art. No. SAP:	560.0004.844
Hexalobular socket pan head screw K30x8	
Pos. CSS:	292
Art. No. SAP:	560.0005.001
Hex. socket pan head screw M4x8 A2	
Pos. CSS:	1779
Art. No. SAP:	560.0005.705
Mixer blade V2	
Pos. CSS:	704202
Art. No. SAP:	560.0007.247
O-ring	
Pos. CSS:	6389
Art. No. SAP:	560.0008.683
Guide bushing for powder hopper	
Pos. CSS:	16297
Art. No. SAP:	560.0484.638
Powder hopper assembly RH 1x600g tinted	
Pos. CSS:	15000410
Art. No. SAP:	560.0513.567
Powder hopper assembly LH 1x600g tinted	
Pos. CSS:	15000411
Art. No. SAP:	560.0513.568
Cable geared motor	
Pos. CSS:	560.0513.569
Art. No. SAP:	560.0513.569
Powder hopper lid	
Pos. CSS:	560.0523.219
Art. No. SAP:	560.0523.219
Geared motor 24V-120rpm SP	
Pos. CSS:	560.0538.959
Art. No. SAP:	560.0538.959
Knurled thumb screw \varnothing 12.7x13.4 M4x8	
Pos. CSS:	560.0539.528
Art. No. SAP:	560.0539.528
Mixer outlet assembled	
Pos. CSS:	560.0544.186
Art. No. SAP:	560.0544.186

Powder hopper lid lockable	
Pos. CSS:	14538
Art. No. SAP:	560.0001.482
Powder chute right-hand	
Pos. CSS:	14637
Art. No. SAP:	560.0001.570
Powder chute left-hand	
Pos. CSS:	14638
Art. No. SAP:	560.0001.571
Cable X5 sensors powder left	
Pos. CSS:	14668
Art. No. SAP:	560.0001.600
Support for powder hopper base right	
Pos. CSS:	560.0001.716
Art. No. SAP:	560.0001.716
Support for powder hopper base left	
Pos. CSS:	560.0001.717
Art. No. SAP:	560.0001.717
Powder hopper assembly RH 1x1200g tinted	
Pos. CSS:	16149
Art. No. SAP:	560.0001.974
Powder hopper assembly LH 1x1200g tinted	
Pos. CSS:	16152
Art. No. SAP:	560.0001.977
Outlet tube	
Pos. CSS:	6461
Art. No. SAP:	560.0002.222
Pan head PT screw, K40x8	
Pos. CSS:	6217
Art. No. SAP:	560.0002.353
Hose Ø12/8 MVQ	
Pos. CSS:	6722
Art. No. SAP:	560.0002.488
Rotary shaft seal FPM	
Pos. CSS:	6963
Art. No. SAP:	560.0002.719
Flange mixer Componenti	
Pos. CSS:	6964
Art. No. SAP:	560.0002.720
Spring clip	
Pos. CSS:	7439
Art. No. SAP:	560.0003.071
Cable cleat PA 6.6	
Pos. CSS:	8361
Art. No. SAP:	560.0003.865
IR PCA	
Pos. CSS:	8363
Art. No. SAP:	560.0003.867

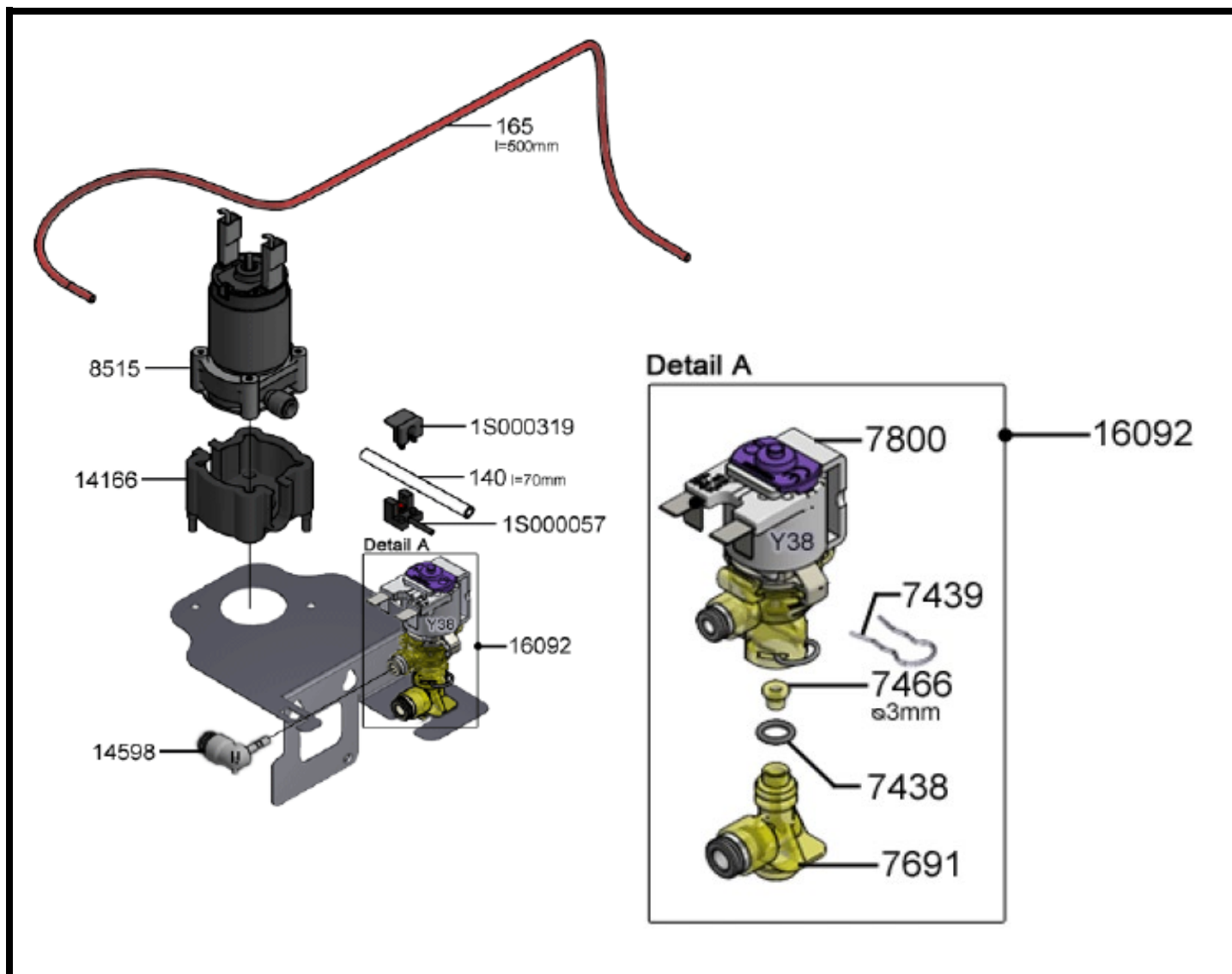
Elbow union for mixer Ø4	
Pos. CSS:	560.0544.836
Art. No. SAP:	560.0544.836
Support plate assy for powder hopper, LH	
Pos. CSS:	560.0563.069
Art. No. SAP:	560.0563.069
Support plate assy for powder hopper, RH	
Pos. CSS:	560.0563.070
Art. No. SAP:	560.0563.070
Powder hopper assembly LH 1x600g clear	
Pos. CSS:	560.0569.488
Art. No. SAP:	560.0569.488
Powder hopper assembly RH 1x600g clear	
Pos. CSS:	560.0569.489
Art. No. SAP:	560.0569.489
Powder hopper assembly RH 1x1200g clear	
Pos. CSS:	560.0569.490
Art. No. SAP:	560.0569.490
Powder hopper assembly LH 1x1200g clear	
Pos. CSS:	560.0569.511
Art. No. SAP:	560.0569.511
Mixer system V2	
Pos. CSS:	560.0587.624
Art. No. SAP:	560.0587.624
Barbed fitting with spring clip V2	
Pos. CSS:	560.0630.866
Art. No. SAP:	560.0630.866
Pos. CSS:	
Art. No. SAP:	
Pos. CSS:	
Art. No. SAP:	
Pos. CSS:	
Art. No. SAP:	
Pos. CSS:	
Art. No. SAP:	
Pos. CSS:	
Art. No. SAP:	

A400 POSA HAZNESİ & DAMLALIK



Bottom cover for grounds ejection		Pan head PT screw, K40x12	
Pos. CSS:	12048	Pos. CSS:	6216
Art. No. SAP:	560.0000.276	Art. No. SAP:	560.0002.354
Grounds container		Drain hose \varnothing20/14,5x2000	
Pos. CSS:	14203	Pos. CSS:	586
Art. No. SAP:	560.0001.226	Art. No. SAP:	560.0003.712
Drip tray assembled with drain		Hose clamp 8-22	
Pos. CSS:	14255	Pos. CSS:	585
Art. No. SAP:	560.0001.266	Art. No. SAP:	560.0003.747
Drip tray assembled without drain		Fill level sensor for water	
Pos. CSS:	14258	Pos. CSS:	8008
Art. No. SAP:	560.0001.268	Art. No. SAP:	560.0003.903
Drip grid		Conical compression spring for drip tray	
Pos. CSS:	14292	Pos. CSS:	2574
Art. No. SAP:	560.0001.296	Art. No. SAP:	560.0005.120
Upgrade kit, drip tray with drain		Drip grid extension two-piece	
Pos. CSS:	14672	Pos. CSS:	16236
Art. No. SAP:	560.0001.604	Art. No. SAP:	560.0484.609
Washer \varnothing4.3/9x0.8 PA 6.6		Drip tray single-piece	
Pos. CSS:	6060	Pos. CSS:	560.0569.523
Art. No. SAP:	560.0002.198	Art. No. SAP:	560.0569.523
Spacer sleeve 4.5x4mm		Drip grid extension single-piece	
Pos. CSS:	6182	Pos. CSS:	560.0574.078
Art. No. SAP:	560.0002.309	Art. No. SAP:	560.0574.078

A400 SÜT SİSTEMİ



Pump mounting TPV

Pos. CSS: 14166
Art. No. SAP: 560.0001.196

Valve group single Ø3 6-4

Pos. CSS: 16092
Art. No. SAP: 560.0001.917

Hose Ø4/2,5 FEP

Pos. CSS: 165
Art. No. SAP: 560.0002.240

Manifold Ø6 / 1-1

Pos. CSS: 7691
Art. No. SAP: 560.0003.040

Spring clip

Pos. CSS: 7439
Art. No. SAP: 560.0003.071

O-ring 6.7x1.8 silicone

Pos. CSS: 7438
Art. No. SAP: 560.0003.075

Valve seat Ø3 PPSU

Pos. CSS: 7466
Art. No. SAP: 560.0003.175

2/2-way control valve PPSU

Pos. CSS: 7800
Art. No. SAP: 560.0003.643

Gear pump Johnson Electric

Pos. CSS: 8515
Art. No. SAP: 560.0003.827

Hose Ø6/4 PFA

Pos. CSS: 140
Art. No. SAP: 560.0004.857

In-line sensor for milk PM-L25

Pos. CSS: 15000057
Art. No. SAP: 560.0505.999

Mounting bracket for in-line sensor

Pos. CSS: 15000319
Art. No. SAP: 560.0511.227

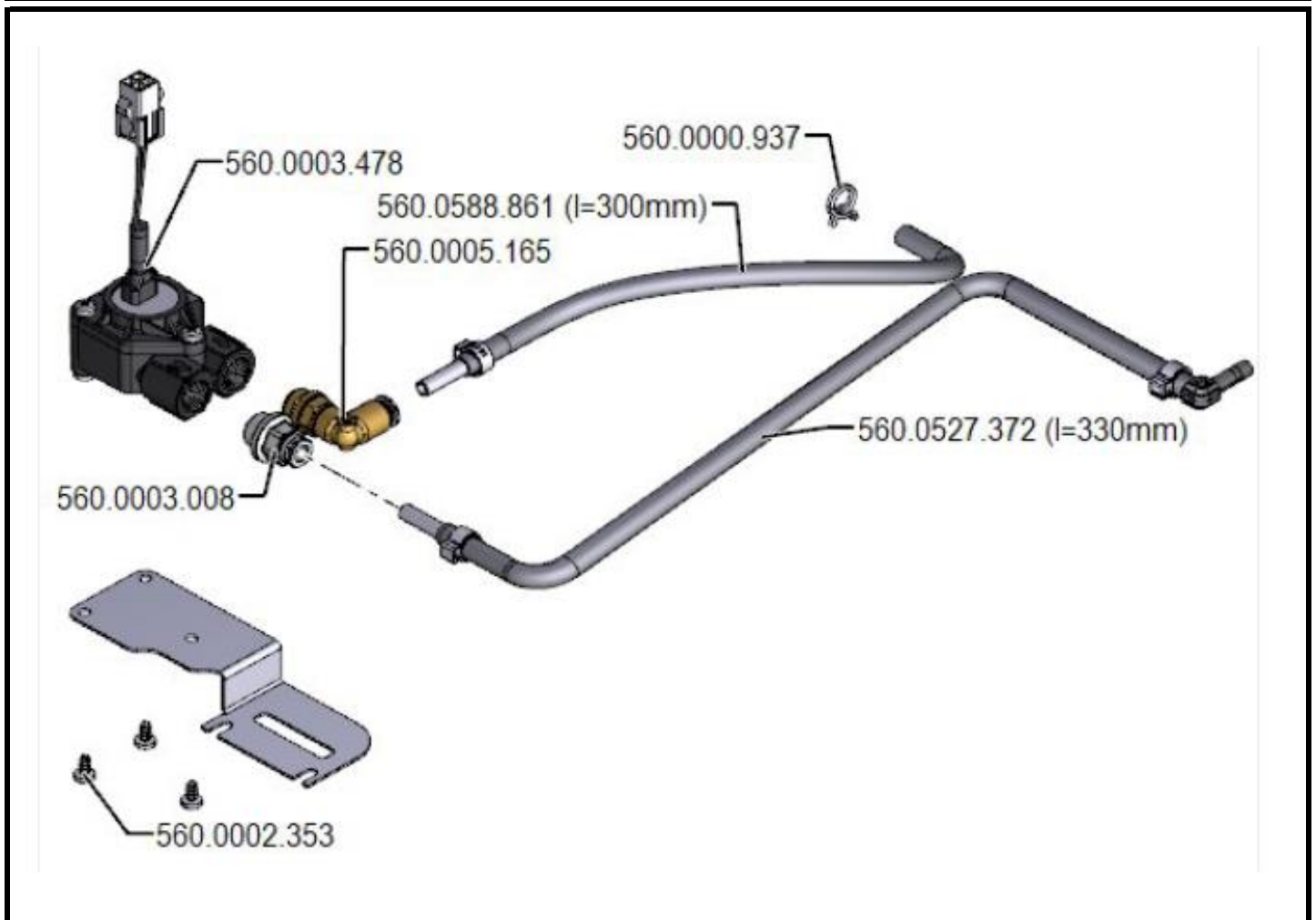
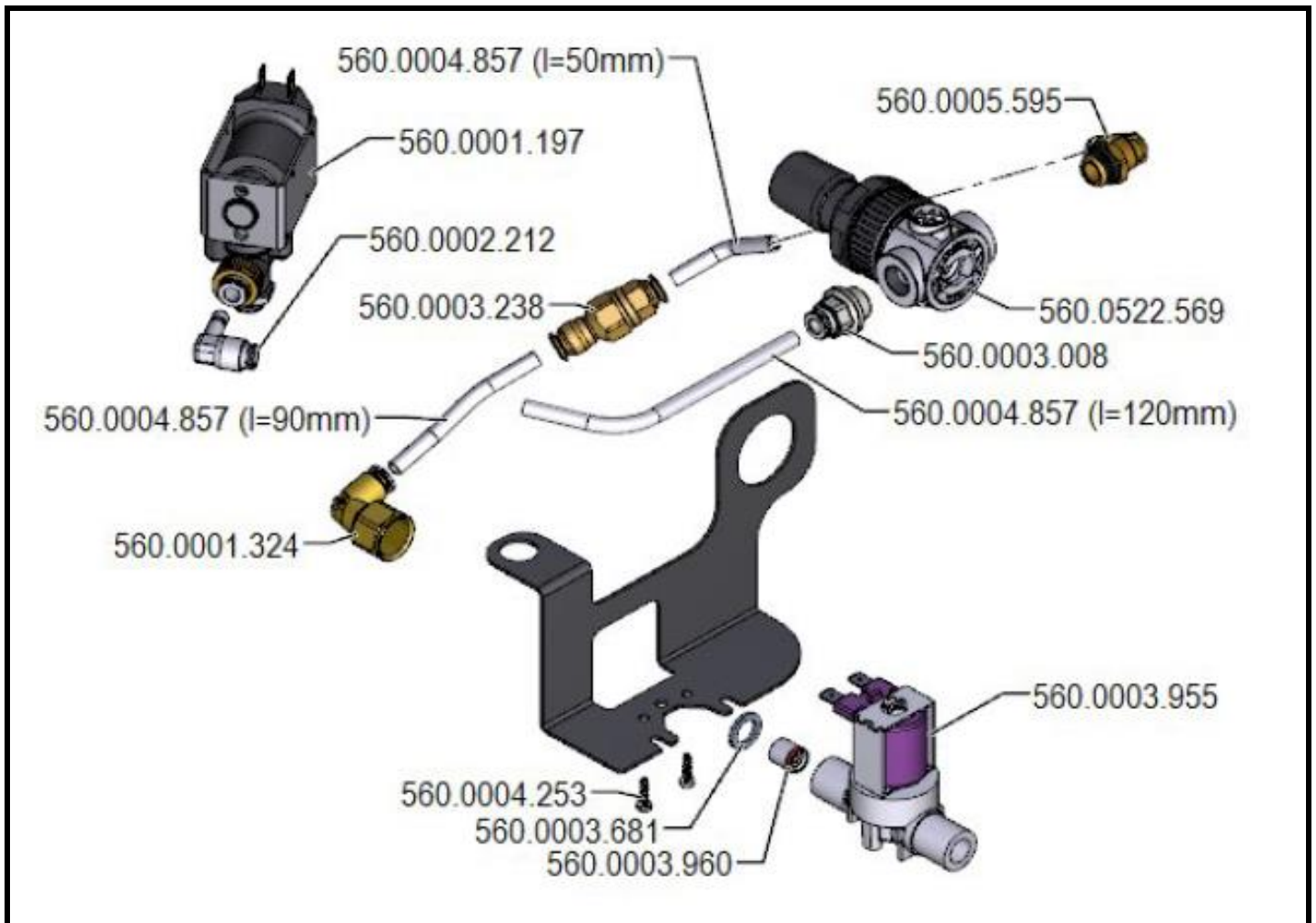
Pos. CSS:

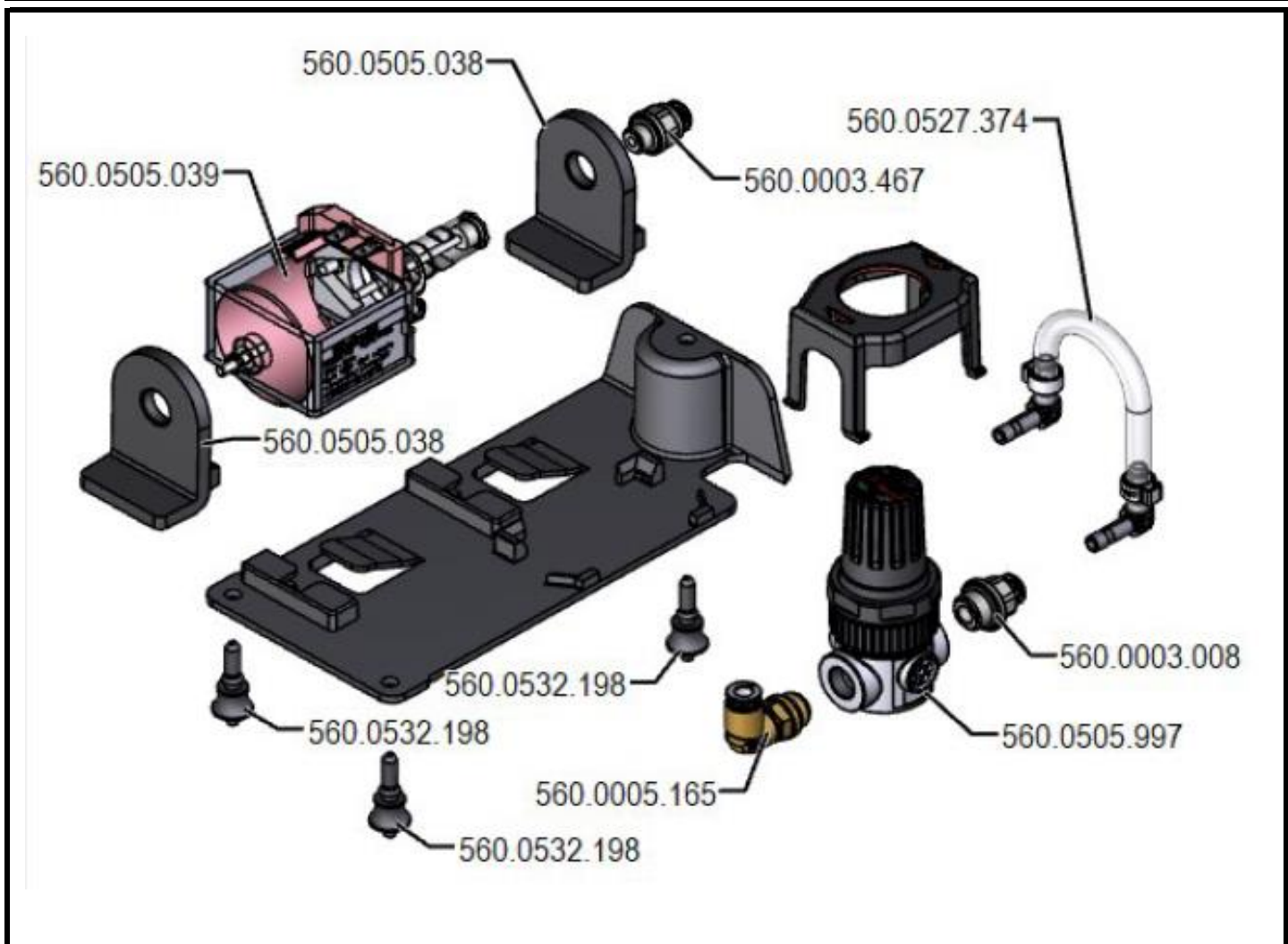
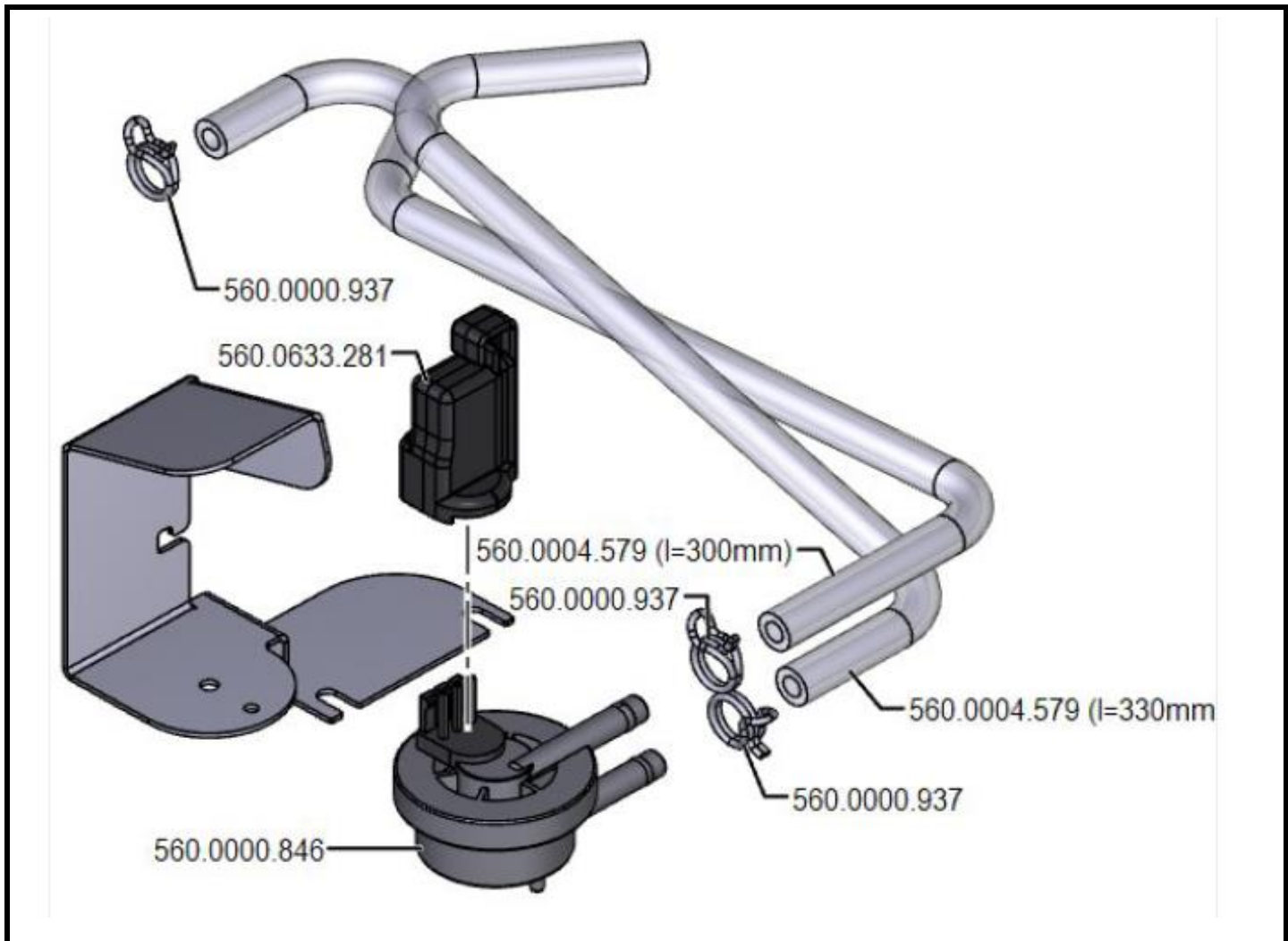
Art. No. SAP:

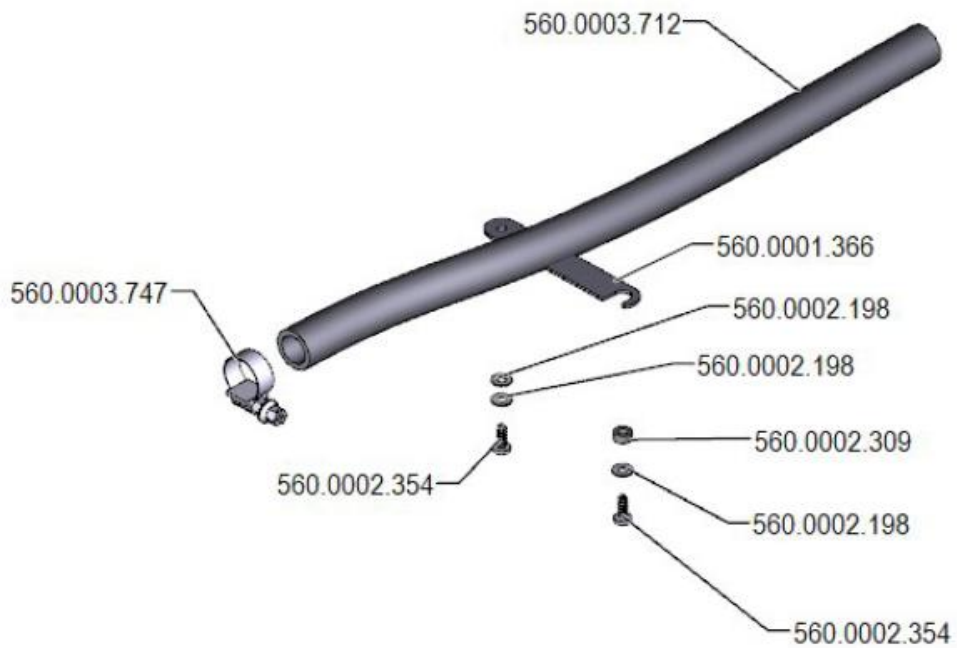
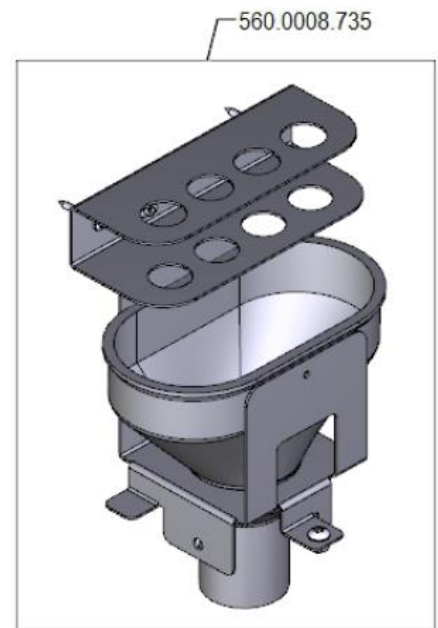
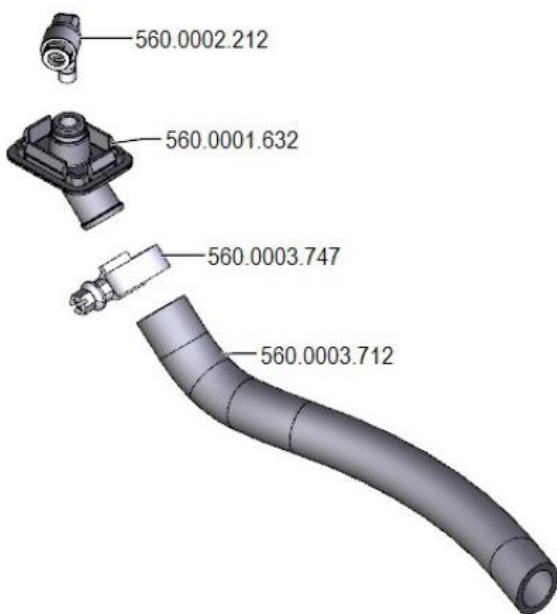
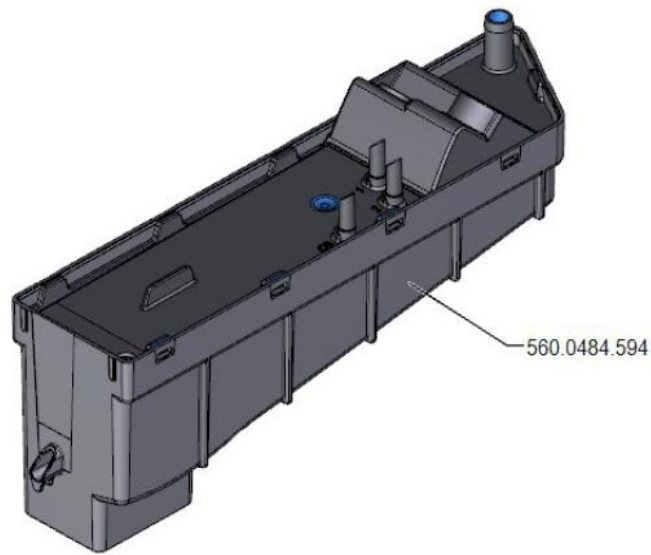
Pos. CSS:

Art. No. SAP:

A400 - TEMİZ & PİS SU







Flow meter FHKSC 12 0°-OT1.3

Pos. CSS:

13172

Art. No. SAP:

560.0000.846

2/2 direct. control valve EVI 3/8"-3/8"

Pos. CSS:

8736

Art. No. SAP:

560.0003.955

Hose clamp 9.8-10.4 V2		Check valve	
Pos. CSS:	13288	Pos. CSS:	8745
Art. No. SAP:	560.0000.937	Art. No. SAP:	560.0003.960
3/2-way solenoid valve ØD6 PPA		Pan head PT screw, K30x12	
Pos. CSS:	14168	Pos. CSS:	37
Art. No. SAP:	560.0001.197	Art. No. SAP:	560.0004.253
Screw-in push-on elbow fitting Ø6-G3/8		Hose Ø9/5 MVQ	
Pos. CSS:	14355	Pos. CSS:	3509
Art. No. SAP:	560.0001.324	Art. No. SAP:	560.0004.579
Hose guard		Hose Ø6/4 PFA	
Pos. CSS:	560.0001.366	Pos. CSS:	140
Art. No. SAP:	560.0001.366	Art. No. SAP:	560.0004.857
Drainage adapter with push-fit cartridge		Check valve G1/4"	
Pos. CSS:	14701	Pos. CSS:	6514
Art. No. SAP:	560.0001.632	Art. No. SAP:	560.0005.165
Washer Ø4.3/9x0.8 PA 6.6		Screw-in push-on elbow fitting G1/4"	
Pos. CSS:	6060	Pos. CSS:	3710
Art. No. SAP:	560.0002.198	Art. No. SAP:	560.0005.595
Barbed/push-on elbow fitting Ø6/6 PVDF		Drainage funnel assembled	
Pos. CSS:	6341	Pos. CSS:	6848
Art. No. SAP:	560.0002.212	Art. No. SAP:	560.0008.735
Spacer sleeve 4.5x4mm		Drainage box with lid	
Pos. CSS:	6182	Pos. CSS:	16189
Art. No. SAP:	560.0002.309	Art. No. SAP:	560.0484.594
Pan head PT screw, K40x8		Pump mounting	
Pos. CSS:	6217	Pos. CSS:	15000008
Art. No. SAP:	560.0002.353	Art. No. SAP:	560.0505.039
Pan head PT screw, K40x12		Pressure reducing valve 0-12.5bar	
Pos. CSS:	6216	Pos. CSS:	15000055
Art. No. SAP:	560.0002.354	Art. No. SAP:	560.0505.997
Screw-in push-on fitting 1/4"		Pressure reducing valve 0-2bar	
Pos. CSS:	7397	Pos. CSS:	15000894
Art. No. SAP:	560.0003.008	Art. No. SAP:	560.0522.569
In-line filter Ø6		Hose kit 330mm water connection	
Pos. CSS:	7570	Pos. CSS:	15001120
Art. No. SAP:	560.0003.238	Art. No. SAP:	560.0527.372
Screw-in push-on fitting 1/8"		Hose kit press. rel. valve to pump	
Pos. CSS:	7674	Pos. CSS:	15001122
Art. No. SAP:	560.0003.467	Art. No. SAP:	560.0527.374
Flow meter PA 6.6		Silent block M4 Ø6x3	
Pos. CSS:	7690	Pos. CSS:	15001271
Art. No. SAP:	560.0003.478	Art. No. SAP:	560.0532.198
Flat gasket 10x15x1.6 PTFE		Hose kit 300mm water pump	
Pos. CSS:	293	Pos. CSS:	560.0588.861
Art. No. SAP:	560.0003.681	Art. No. SAP:	560.0588.861
Drain hose Ø20/14,5x2000		Splash protection cover	
Pos. CSS:	586	Pos. CSS:	560.0633.281
Art. No. SAP:	560.0003.712	Art. No. SAP:	560.0633.281
Hose clamp 8-22			
Pos. CSS:	585		
Art. No. SAP:	560.0003.747		